



Spare parts for:

Coffee grinders



Suitable for:

MACAP



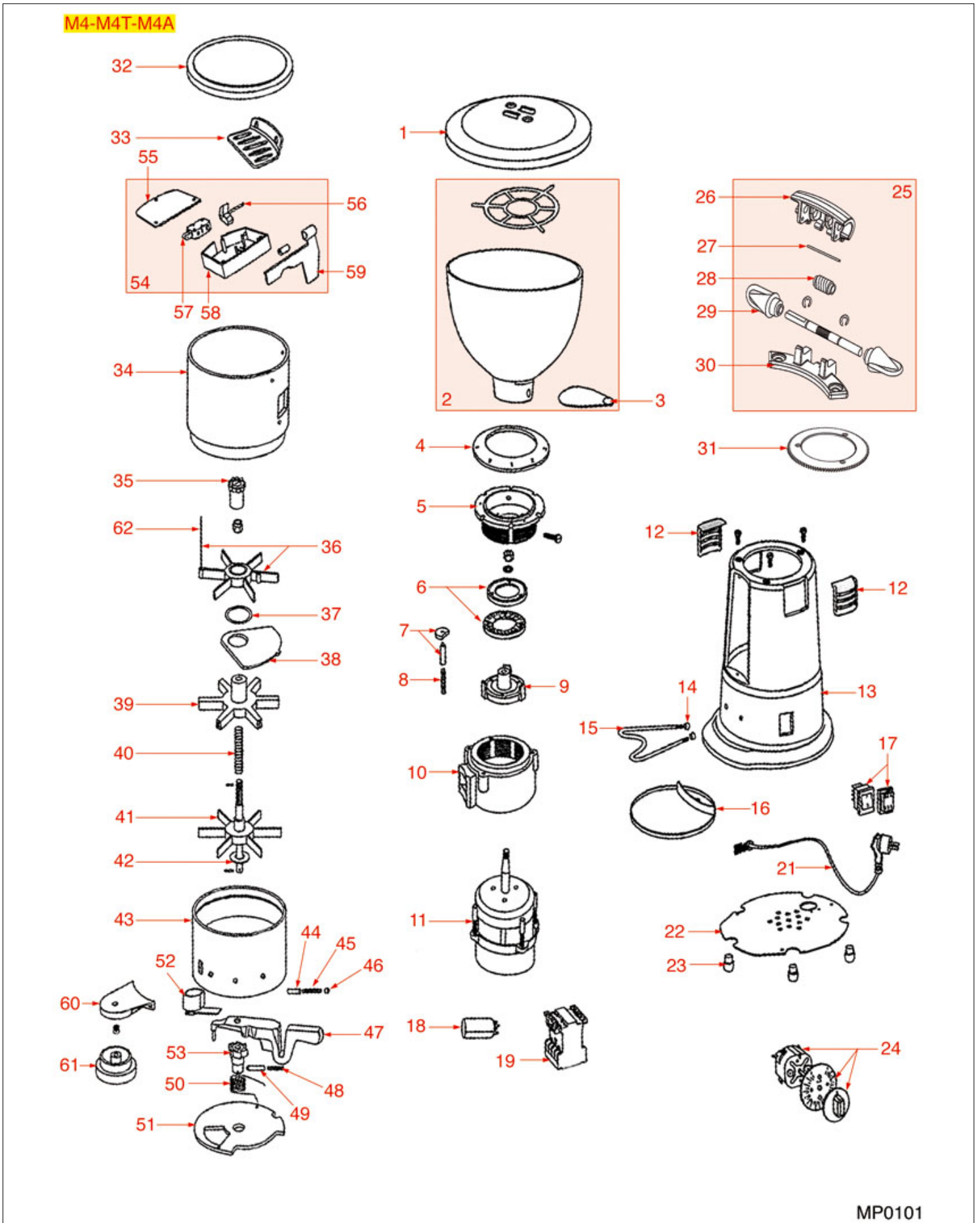
This catalogue is automatically generated.
Therefore, the sequence of the items might
not be always shown at best.
Updates will be issued in case of additions
and/or amendments.

Suitable universal spare parts may not be included





GRINDER ASSEMBLY M4-M4T-M4A





MACAP

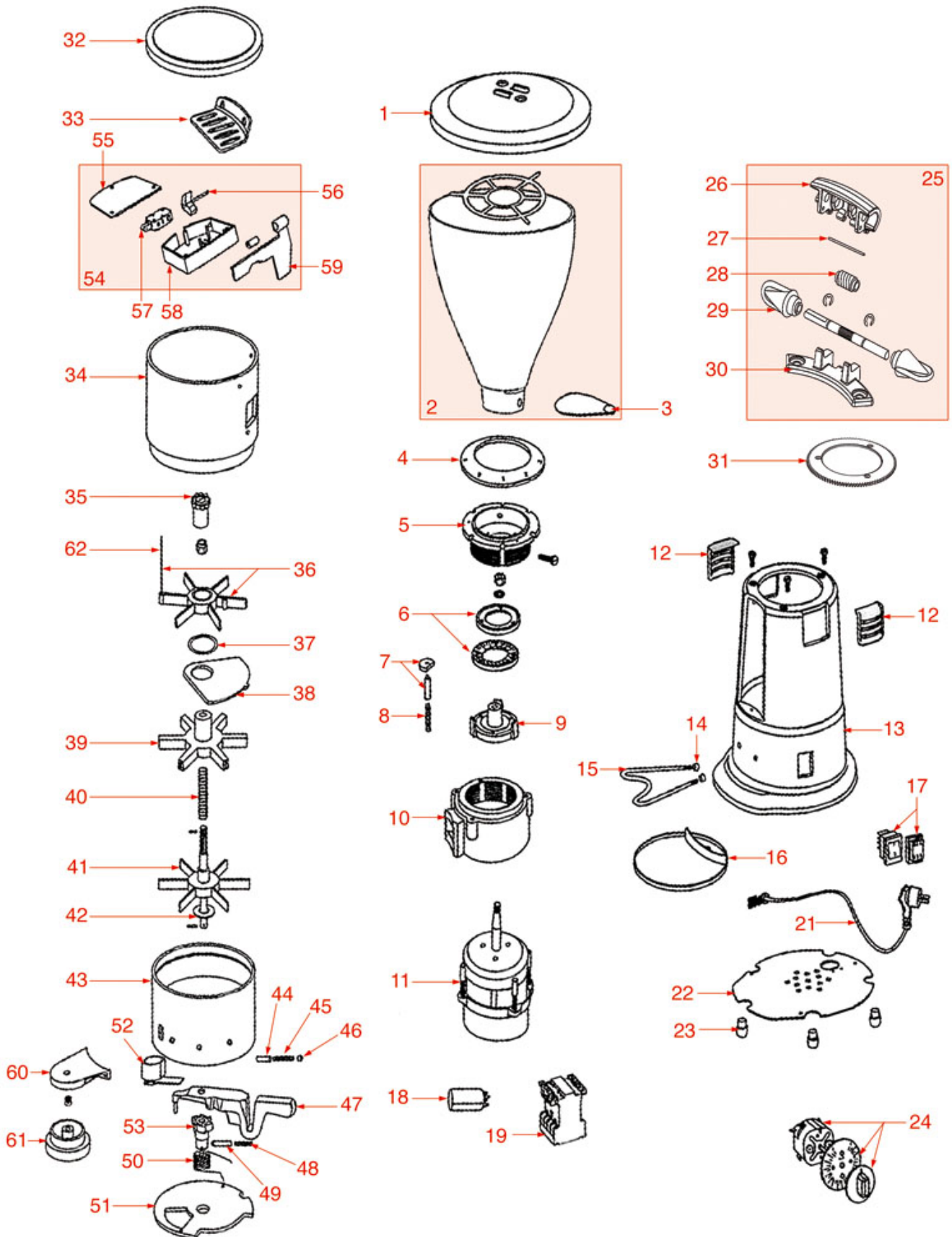


Position	LF code no.	Description
1	1252715	COFFEE HOPPER LID
2	1252717	COFFEE HOPPER
3	1080068	COFFEE CONTAINER CLOSING SHEET
4	1251306	BURRS HOLDER UPPER RING NUT M4-M5
6	1251308	GRINDING BURRS MACAP (PAIR) RIGHT
7	1252710	GRINDING BURRS LOCKING PIN
8	1250353	GRINDING BURRS LOCKING SPRING
9	1251309	GRINDING BURRS BOTTOM HOLDER
12	1252425	AIR INLET
15	1252714	FILTER HOLDER FORK
16	1252419	COFFEE COLLECTING TRAY \varnothing 138 mm
17	1319350	WHITE BIPOLAR SWITCH 16A 250V
17	3319012	GREEN BIPOLAR SWITCH 16A 250V
18	3068010	CAPACITOR μ F 6.3 450V 50/60Hz
19	3446556	CONTACTOR LOVATO BG0910A
23	1313008	COFFEE GRINDER HARD FOOT \varnothing 15 mm
24	1446300	TIMER 4 MINUTES M2
25	1252426	COMPLETE MICROMETRIC ADJUSTER
32	1252700	DOSER LID \varnothing 130 mm
33	1252718	PROTECTION GRID
34	1090012	DOSER CYLINDER \varnothing 124x90 mm
34	1385203	DOSER CYLINDER \varnothing 125x90 mm
35	1241750	COFFEE ADJUSTER
36	1343300	COMPLETE STAR WITHOUT BOSS
37	1252702	DOSER BLADE RING
39	1343301	STAR WITH BOSS
40	1250350	DOSER BOSS SPRING
41	1343302	STAR WITH THREADED PIN
42	1343061	STAR WASHER \varnothing 35x8.5x0.5 mm
44	1252428	DOSER CASE PIN \varnothing 6x24 mm
46	1252421	PIN CAP \varnothing 6x6 mm
47	1252706	DOSER LEVER
48	1252707	DOSER LEVER SPRING \varnothing 4.5x24 mm
49	1252424	DOSER LEVER PIN \varnothing 5x17 mm
50	1250352	DOSER TORSION SPRING
51	1090014	DOSER BOTTOM LID
52	1252704	COUNTER FOR COFFEE GRINDER
53	1252705	DOSER PAWL
54	1240050	MICROSWITCH BOX ASSEMBLY
57	3240123	MICROSWITCH 16A 250V
59	1240051	DOSER FLAP
60	1385202	TAMPER HOLDER
61	1385200	TAMPER \varnothing 57 mm
61	1385201	TAMPER \varnothing 51.5 mm
62	1343060	PIN FR DOSER SCRAPER \varnothing 2x57 mm



GRINDER ASSEMBLY M5-M5T-M5A

M5-M5T-M5A



MP0201

Positions without LF code no.: upon request



MACAP

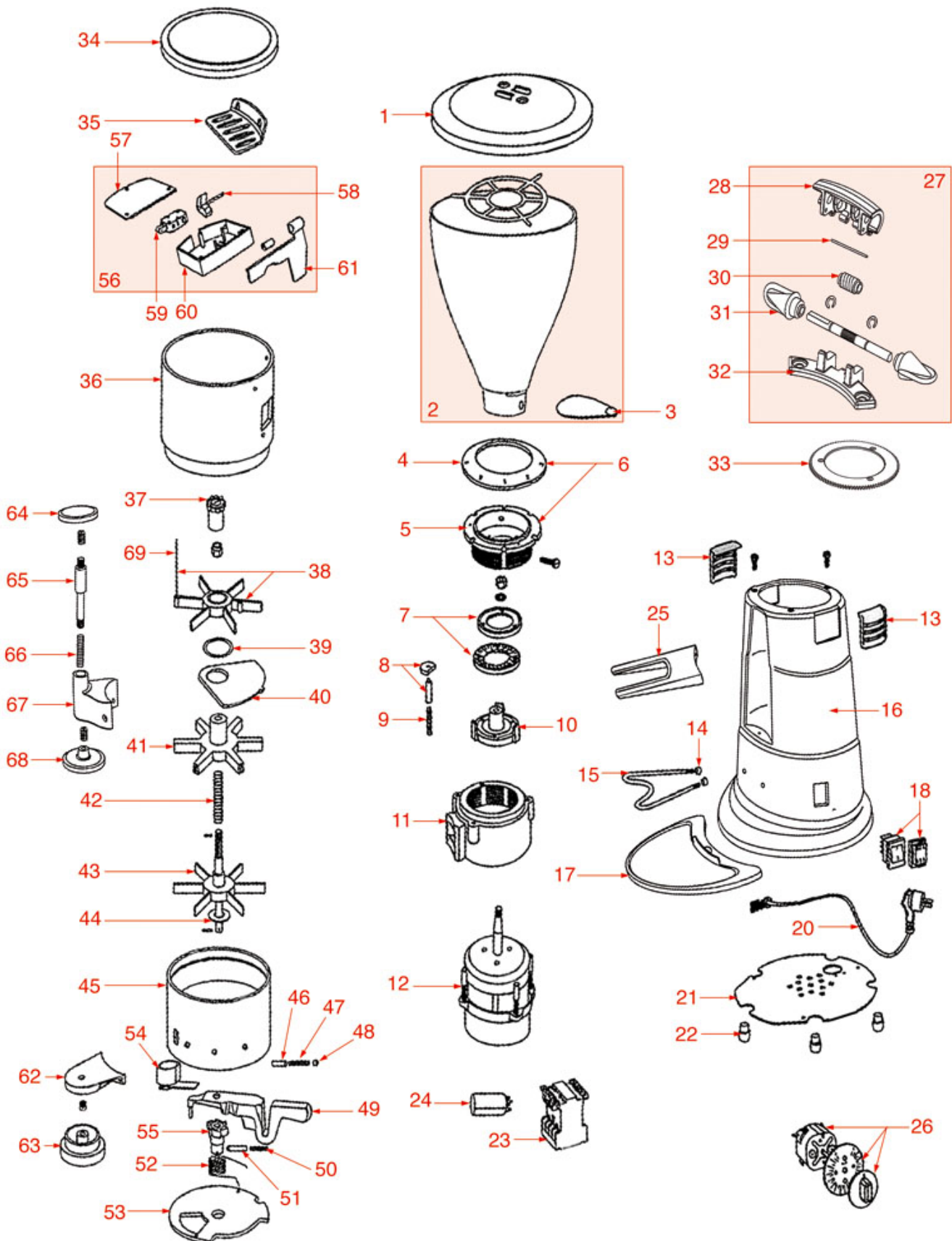


Position	LF code no.	Description
1	1252715	COFFEE HOPPER LID
2	1252716	COFFEE HOPPER
3	1080068	COFFEE CONTAINER CLOSING SHEET
4	1251306	BURRS HOLDER UPPER RING NUT M4-M5
6	1251308	GRINDING BURRS MACAP (PAIR) RIGHT
7	1252710	GRINDING BURRS LOCKING PIN
8	1250353	GRINDING BURRS LOCKING SPRING
9	1251309	GRINDING BURRS BOTTOM HOLDER
12	1252425	AIR INLET
15	1252714	FILTER HOLDER FORK
16	1252419	COFFEE COLLECTING TRAY \varnothing 138 mm
17	1319350	WHITE BIPOLAR SWITCH 16A 250V
17	3319012	GREEN BIPOLAR SWITCH 16A 250V
18	3068010	CAPACITOR μ F 6.3 450V 50/60Hz
19	3446556	CONTACTOR LOVATO BG0910A
23	1313008	COFFEE GRINDER HARD FOOT \varnothing 15 mm
24	1446300	TIMER 4 MINUTES M2
25	1252426	COMPLETE MICROMETRIC ADJUSTER
32	1252700	DOSER LID \varnothing 130 mm
33	1252718	PROTECTION GRID
34	1090012	DOSER CYLINDER \varnothing 124x90 mm
34	1385203	DOSER CYLINDER \varnothing 125x90 mm
35	1241750	COFFEE ADJUSTER
36	1343300	COMPLETE STAR WITHOUT BOSS
37	1252702	DOSER BLADE RING
39	1343301	STAR WITH BOSS
40	1250350	DOSER BOSS SPRING
41	1343302	STAR WITH THREADED PIN
42	1343061	STAR WASHER \varnothing 35x8.5x0.5 mm
44	1252428	DOSER CASE PIN \varnothing 6x24 mm
46	1252421	PIN CAP \varnothing 6x6 mm
47	1252706	DOSER LEVER
48	1252707	DOSER LEVER SPRING \varnothing 4.5x24 mm
49	1252424	DOSER LEVER PIN \varnothing 5x17 mm
50	1250352	DOSER TORSION SPRING
51	1090014	DOSER BOTTOM LID
52	1252704	COUNTER FOR COFFEE GRINDER
53	1252705	DOSER PAWL
54	1240050	MICROSWITCH BOX ASSEMBLY
57	3240123	MICROSWITCH 16A 250V
59	1240051	DOSER FLAP
60	1385202	TAMPER HOLDER
61	1385200	TAMPER \varnothing 57 mm
61	1385201	TAMPER \varnothing 51.5 mm
62	1343060	PIN FR DOSER SCRAPER \varnothing 2x57 mm



GRINDER ASSEMBLY MX-MXT-MXA

MX-MXT-MXA



MP0301



MACAP

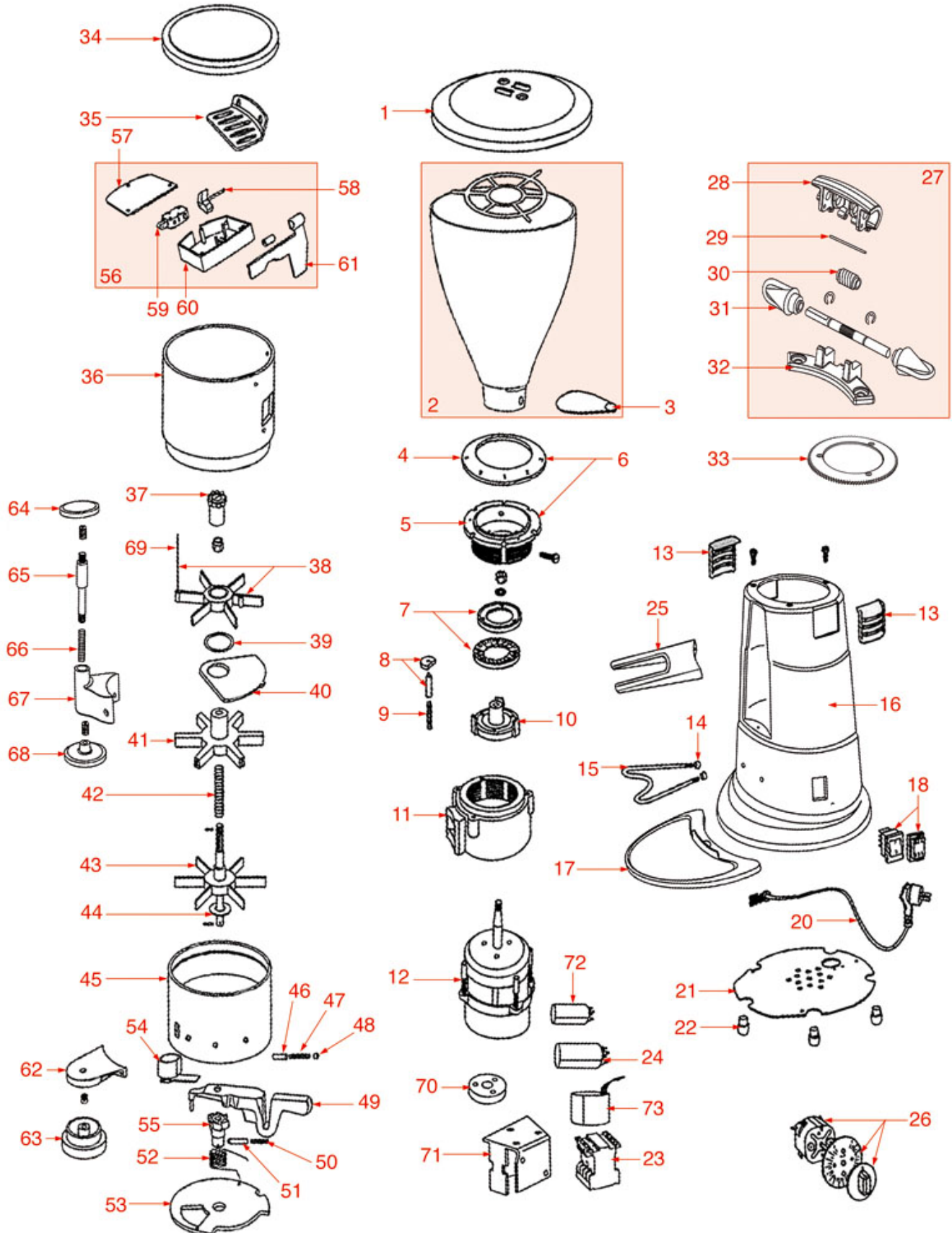


Position	LF code no.	Description
1	1252708	COFFEE HOPPER LID
2	1252709	COFFEE HOPPER
3	1080069	COFFEE CONTAINER CLOSING SHEET
6	1251303	GRINDING BURRS TOP HOLDER MX
7	1251304	GRINDING BURRS MACAP (PAIR) RIGHT
8	1252710	GRINDING BURRS LOCKING PIN
9	1250353	GRINDING BURRS LOCKING SPRING
10	1251305	GRINDING BURRS BOTTOM HOLDER MODEL MX
13	1252425	AIR INLET
15	1252714	FILTER HOLDER FORK
17	1252420	COFFEE COLLECTING TRAY
18	1319350	WHITE BIPOLAR SWITCH 16A 250V
18	3319012	GREEN BIPOLAR SWITCH 16A 250V
22	1313008	COFFEE GRINDER HARD FOOT \varnothing 15 mm
23	3446556	CONTACTOR LOVATO BG0910A
24	3068016	CAPACITOR μ F 10 450V 50/60Hz
25	1162006	FILTER HOLDER FORK
26	1446300	TIMER 4 MINUTES M2
27	1252426	COMPLETE MICROMETRIC ADJUSTER
33	1252422	ADJUSTMENT TOOTHED RING NUT \varnothing 106 mm
34	1252700	DOSER LID \varnothing 130 mm
35	1252718	PROTECTION GRID
36	1090013	DOSER CYLINDER \varnothing 124x113 mm
36	1252701	DOSER CYLINDER
37	1241750	COFFEE ADJUSTER
38	1343300	COMPLETE STAR WITHOUT BOSS
39	1252702	DOSER BLADE RING
41	1343301	STAR WITH BOSS
42	1250350	DOSER BOSS SPRING
43	1343302	STAR WITH THREADED PIN
44	1343061	STAR WASHER \varnothing 35x8.5x0.5 mm
46	1252428	DOSER CASE PIN \varnothing 6x24 mm
48	1252421	PIN CAP \varnothing 6x6 mm
49	1252706	DOSER LEVER
50	1252707	DOSER LEVER SPRING \varnothing 4.5x24 mm
51	1252424	DOSER LEVER PIN \varnothing 5x17 mm
52	1250352	DOSER TORSION SPRING
53	1090014	DOSER BOTTOM LID
54	1252704	COUNTER FOR COFFEE GRINDER
55	1252705	DOSER PAWL
56	1252719	AUTOMATIC MICROSWITCH BOX
59	3240123	MICROSWITCH 16A 250V
61	1240049	DOSER FLAP
62	1385202	TAMPER HOLDER
63	1385200	TAMPER \varnothing 57 mm
63	1385201	TAMPER \varnothing 51.5 mm
66	1250146	COFFEE TAMPER SPING \varnothing 10x65 mm
68	1385015	COFFEE TAMPER \varnothing 57 mm
69	1343060	PIN FR DOSER SCRAPER \varnothing 2x57 mm



GRINDER ASSEMBLY MX900-MXT900-MXA900

MX900-MXT900-MXA900





MACAP

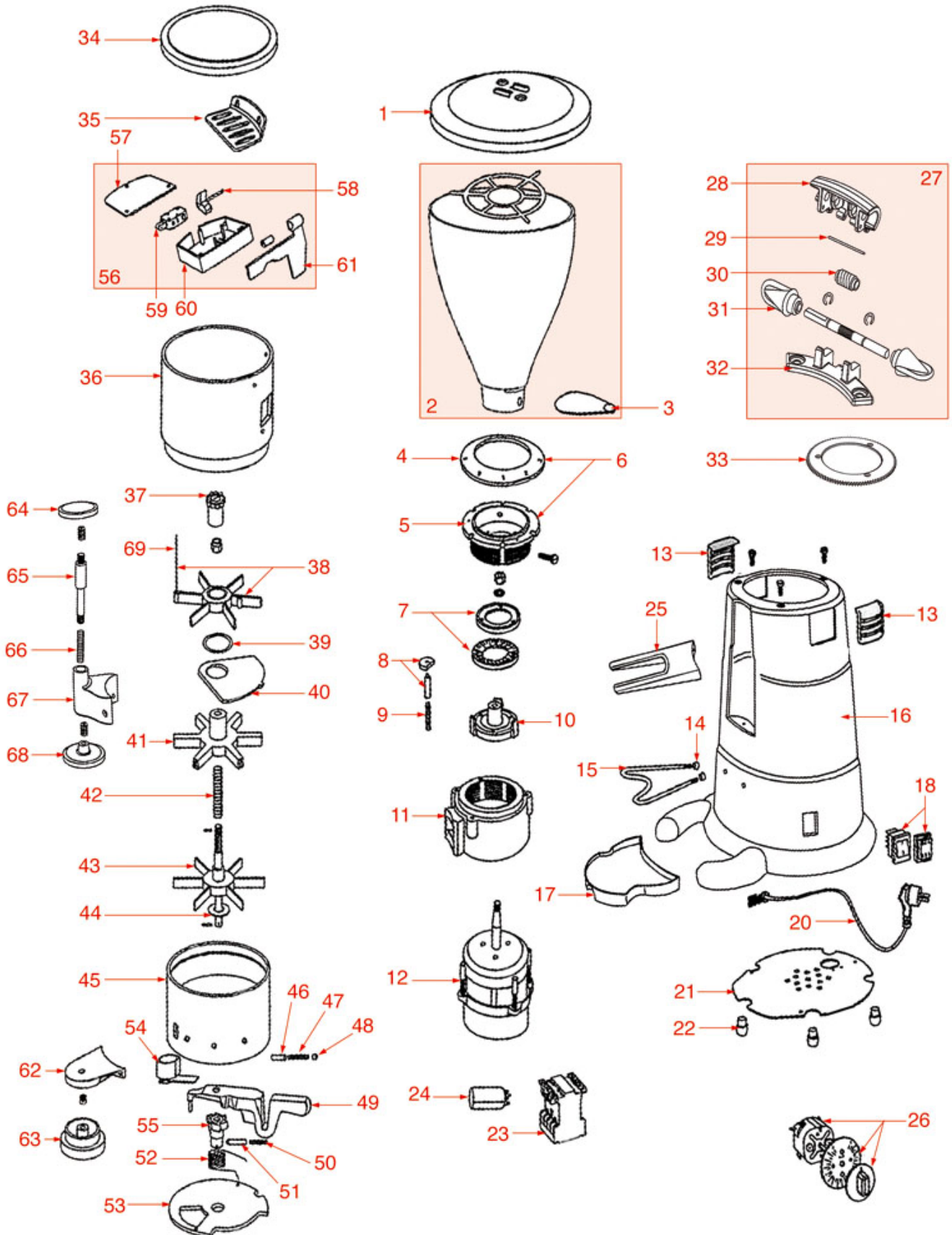


Position	LF code no.	Description
1	1252708	COFFEE HOPPER LID
2	1252709	COFFEE HOPPER
3	1080069	COFFEE CONTAINER CLOSING SHEET
6	1251100	BURRS HOLDER UPPER RING NUT
7	1251104	GRINDING BURRS PAIR MACAP RH
8	1252710	GRINDING BURRS LOCKING PIN
9	1250353	GRINDING BURRS LOCKING SPRING
10	1251105	GRINDING BURRS BOTTOM HOLDER
13	1252425	AIR INLET
15	1252714	FILTER HOLDER FORK
17	1252420	COFFEE COLLECTING TRAY
18	1319350	WHITE BIPOLAR SWITCH 16A 250V
18	3319012	GREEN BIPOLAR SWITCH 16A 250V
22	1313008	COFFEE GRINDER HARD FOOT \varnothing 15 mm
23	3446556	CONTACTOR LOVATO BG0910A
24	3068016	CAPACITOR μ F 10 450V 50/60Hz
25	1162006	FILTER HOLDER FORK
26	1446300	TIMER 4 MINUTES M2
27	1252426	COMPLETE MICROMETRIC ADJUSTER
33	1252422	ADJUSTMENT TOOTHED RING NUT \varnothing 106 mm
34	1252700	DOSER LID \varnothing 130 mm
35	1252718	PROTECTION GRID
36	1090013	DOSER CYLINDER \varnothing 124x113 mm
36	1252701	DOSER CYLINDER
37	1241750	COFFEE ADJUSTER
38	1343300	COMPLETE STAR WITHOUT BOSS
39	1252702	DOSER BLADE RING
41	1343301	STAR WITH BOSS
42	1250350	DOSER BOSS SPRING
43	1343302	STAR WITH THREADED PIN
44	1343061	STAR WASHER \varnothing 35x8.5x0.5 mm
46	1252428	DOSER CASE PIN \varnothing 6x24 mm
48	1252421	PIN CAP \varnothing 6x6 mm
49	1252706	DOSER LEVER
50	1252707	DOSER LEVER SPRING \varnothing 4.5x24 mm
51	1252424	DOSER LEVER PIN \varnothing 5x17 mm
52	1250352	DOSER TORSION SPRING
53	1090014	DOSER BOTTOM LID
54	1252704	COUNTER FOR COFFEE GRINDER
55	1252705	DOSER PAWL
56	1252719	AUTOMATIC MICROSWITCH BOX
59	3240123	MICROSWITCH 16A 250V
61	1240049	DOSER FLAP
62	1385202	TAMPER HOLDER
63	1385200	TAMPER \varnothing 57 mm
63	1385201	TAMPER \varnothing 51.5 mm
66	1250146	COFFEE TAMPER SPING \varnothing 10x65 mm
68	1385015	COFFEE TAMPER \varnothing 57 mm
69	1343060	PIN FR DOSER SCRAPER \varnothing 2x57 mm
72	3068010	CAPACITOR μ F 6.3 450V 50/60Hz



GRINDER ASSEMBLY M7-M7T-M7A

M7-M7T-M7A



MP0501



MACAP

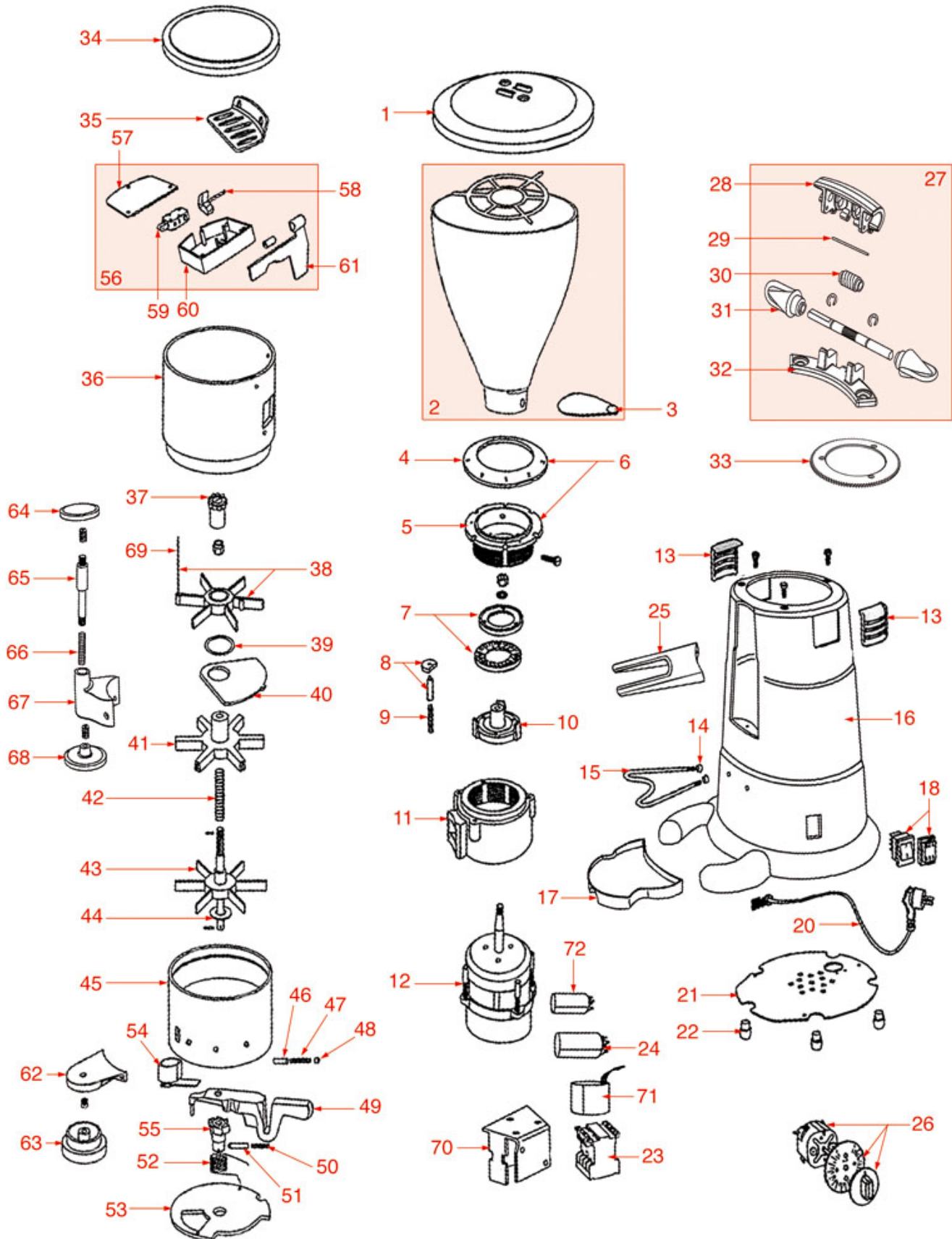


Position	LF code no.	Description
1	1252708	COFFEE HOPPER LID
2	1252709	COFFEE HOPPER
3	1080069	COFFEE CONTAINER CLOSING SHEET
7	1251310	GRINDING BURRS MACAP (PAIR) RIGHT
8	1252710	GRINDING BURRS LOCKING PIN
9	1250353	GRINDING BURRS LOCKING SPRING
13	1252425	AIR INLET
15	1252714	FILTER HOLDER FORK
17	1252418	COFFEE COLLECTING TRAY
18	1319350	WHITE BIPOLAR SWITCH 16A 250V
18	3319012	GREEN BIPOLAR SWITCH 16A 250V
22	1313007	COFFEE GRINDER SOFT FOOT \varnothing 15 mm
23	3446556	CONTACTOR LOVATO BG0910A
24	3068027	CAPACITOR μ F 20 450V 50/60Hz
25	1162007	FILTER HOLDER FORK
26	1446300	TIMER 4 MINUTES M2
27	1252426	COMPLETE MICROMETRIC ADJUSTER
33	1252423	ADJUSTMENT TOOTHED RING NUT \varnothing 114 mm
34	1252700	DOSER LID \varnothing 130 mm
35	1252718	PROTECTION GRID
36	1090013	DOSER CYLINDER \varnothing 124x113 mm
36	1252701	DOSER CYLINDER
37	1241750	COFFEE ADJUSTER
38	1343300	COMPLETE STAR WITHOUT BOSS
39	1252702	DOSER BLADE RING
41	1343301	STAR WITH BOSS
42	1250350	DOSER BOSS SPRING
43	1343302	STAR WITH THREADED PIN
44	1343061	STAR WASHER \varnothing 35x8.5x0.5 mm
46	1252428	DOSER CASE PIN \varnothing 6x24 mm
48	1252421	PIN CAP \varnothing 6x6 mm
49	1252706	DOSER LEVER
50	1252707	DOSER LEVER SPRING \varnothing 4.5x24 mm
51	1252424	DOSER LEVER PIN \varnothing 5x17 mm
52	1250352	DOSER TORSION SPRING
53	1090014	DOSER BOTTOM LID
54	1252704	COUNTER FOR COFFEE GRINDER
55	1252705	DOSER PAWL
56	1252719	AUTOMATIC MICROSWITCH BOX
59	3240123	MICROSWITCH 16A 250V
61	1240049	DOSER FLAP
62	1385202	TAMPER HOLDER
63	1385200	TAMPER \varnothing 57 mm
63	1385201	TAMPER \varnothing 51.5 mm
66	1250146	COFFEE TAMPER SPING \varnothing 10x65 mm
68	1385015	COFFEE TAMPER \varnothing 57 mm
69	1343060	PIN FR DOSER SCRAPER \varnothing 2x57 mm



GRINDER ASSEMBLY M7900-M7T900-M7A900

M7900-M7T900-M7A900



MP0601

Positions without LF code no.: upon request



MACAP

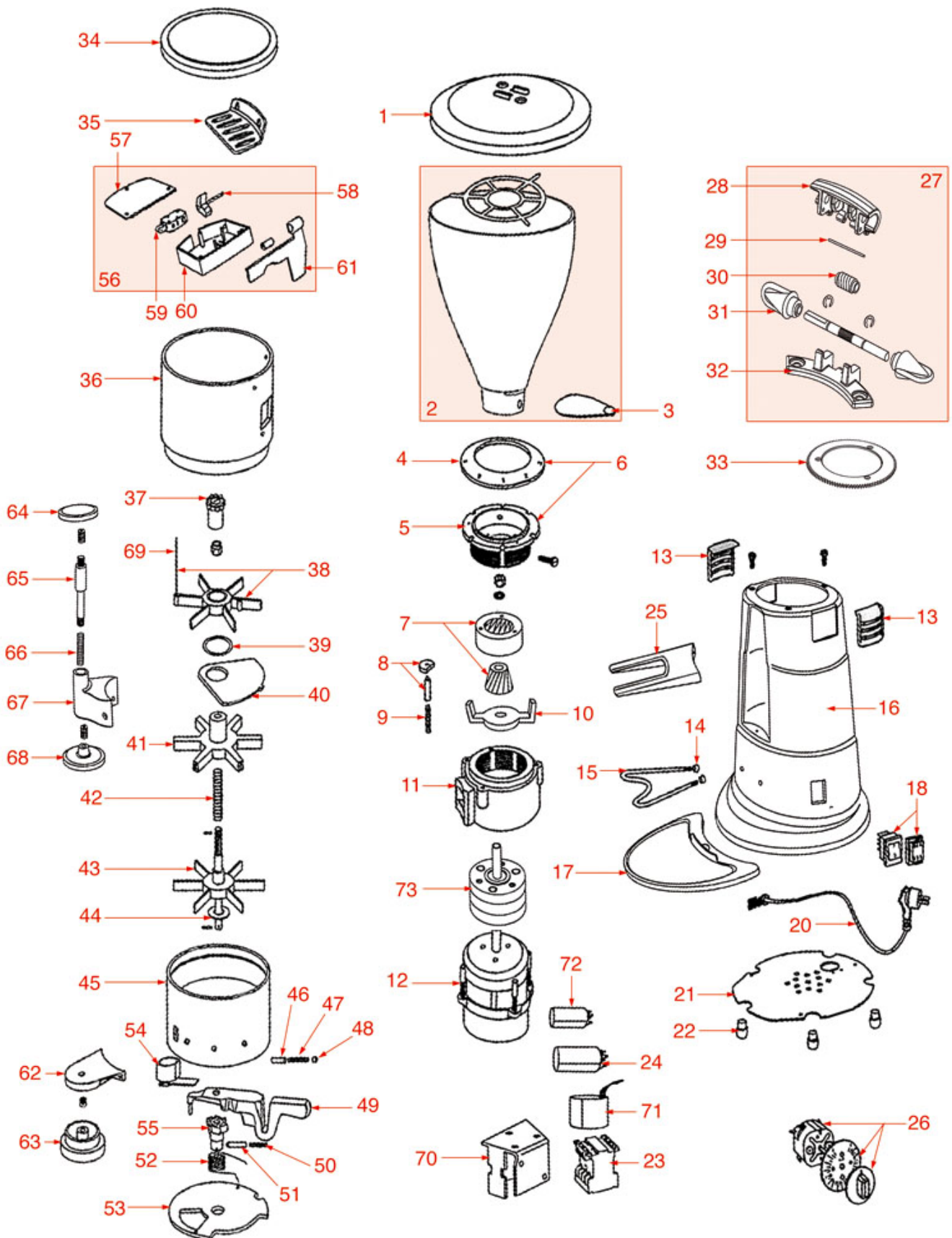


Position	LF code no.	Description
1	1252708	COFFEE HOPPER LID
2	1252709	COFFEE HOPPER
3	1080069	COFFEE CONTAINER CLOSING SHEET
6	1251102	BURRS HOLDER UPPER RING NUT
7	1251097	GRINDING BURRS MACAP (PAIR) RIGHT
8	1252710	GRINDING BURRS LOCKING PIN
9	1250353	GRINDING BURRS LOCKING SPRING
10	1251096	BOTTOM HOLDER FOR GRINDING BURRS \varnothing 74 mm
13	1252425	AIR INLET
15	1252714	FILTER HOLDER FORK
17	1252418	COFFEE COLLECTING TRAY
18	1319350	WHITE BIPOLAR SWITCH 16A 250V
18	3319012	GREEN BIPOLAR SWITCH 16A 250V
22	1313007	COFFEE GRINDER SOFT FOOT \varnothing 15 mm
23	3446556	CONTACTOR LOVATO BG0910A
24	3068024	CAPACITOR μ F 16 450V 50/60Hz
25	1162007	FILTER HOLDER FORK
26	1446300	TIMER 4 MINUTES M2
27	1252426	COMPLETE MICROMETRIC ADJUSTER
33	1252423	ADJUSTMENT TOOTHED RING NUT \varnothing 114 mm
34	1252700	DOSER LID \varnothing 130 mm
35	1252718	PROTECTION GRID
36	1090013	DOSER CYLINDER \varnothing 124x113 mm
36	1252701	DOSER CYLINDER
37	1241750	COFFEE ADJUSTER
38	1343300	COMPLETE STAR WITHOUT BOSS
39	1252702	DOSER BLADE RING
41	1343301	STAR WITH BOSS
42	1250350	DOSER BOSS SPRING
43	1343302	STAR WITH THREADED PIN
44	1343061	STAR WASHER \varnothing 35x8.5x0.5 mm
46	1252428	DOSER CASE PIN \varnothing 6x24 mm
48	1252421	PIN CAP \varnothing 6x6 mm
49	1252706	DOSER LEVER
50	1252707	DOSER LEVER SPRING \varnothing 4.5x24 mm
51	1252424	DOSER LEVER PIN \varnothing 5x17 mm
52	1250352	DOSER TORSION SPRING
53	1090014	DOSER BOTTOM LID
54	1252704	COUNTER FOR COFFEE GRINDER
55	1252705	DOSER PAWL
56	1252719	AUTOMATIC MICROSWITCH BOX
59	3240123	MICROSWITCH 16A 250V
61	1240049	DOSER FLAP
62	1385202	TAMPER HOLDER
63	1385200	TAMPER \varnothing 57 mm
63	1385201	TAMPER \varnothing 51.5 mm
66	1250146	COFFEE TAMPER SPING \varnothing 10x65 mm
68	1385015	COFFEE TAMPER \varnothing 57 mm
69	1343060	PIN FR DOSER SCRAPER \varnothing 2x57 mm
72	3068010	CAPACITOR μ F 6.3 450V 50/60Hz



GRINDER ASSEMBLY MXK-MXKT-MXKA

MXK-MXKT-MXKA





MACAP

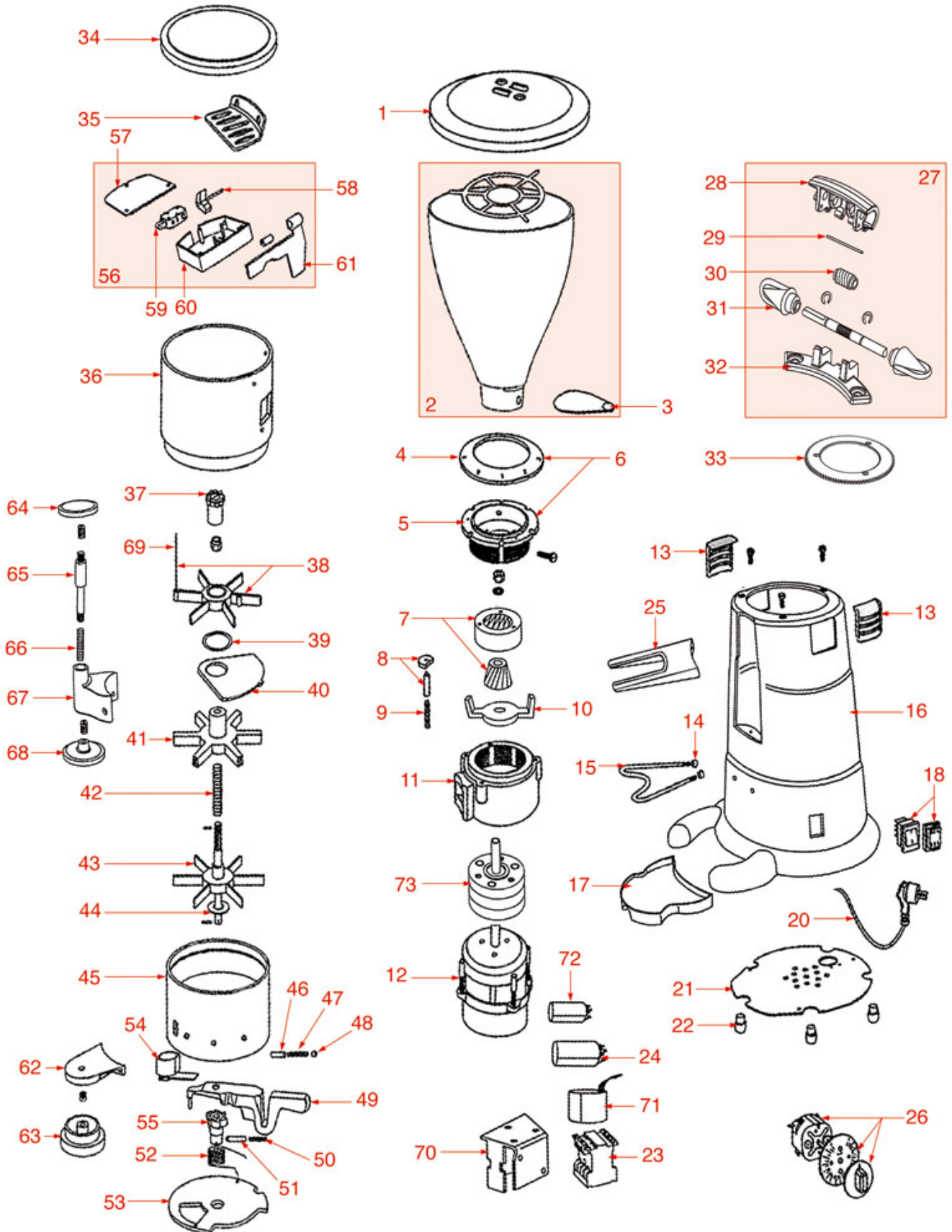


Position	LF code no.	Description
1	1252708	COFFEE HOPPER LID
2	1252709	COFFEE HOPPER
3	1080069	COFFEE CONTAINER CLOSING SHEET
7	1251101	CONICAL GRINDING BURRS MACAP(PAIR) RIGHT
8	1252710	GRINDING BURRS LOCKING PIN
9	1250353	GRINDING BURRS LOCKING SPRING
10	1251103	GRINDING BURRS BOTTOM HOLDER
13	1252425	AIR INLET
15	1252714	FILTER HOLDER FORK
17	1252420	COFFEE COLLECTING TRAY
18	1319350	WHITE BIPOLAR SWITCH 16A 250V
18	3319012	GREEN BIPOLAR SWITCH 16A 250V
22	1313008	COFFEE GRINDER HARD FOOT \varnothing 15 mm
23	3446556	CONTACTOR LOVATO BG0910A
24	3068016	CAPACITOR μ F 10 450V 50/60Hz
25	1162006	FILTER HOLDER FORK
26	1446300	TIMER 4 MINUTES M2
27	1252426	COMPLETE MICROMETRIC ADJUSTER
33	1252422	ADJUSTMENT TOOTHED RING NUT \varnothing 106 mm
34	1252700	DOSER LID \varnothing 130 mm
35	1252718	PROTECTION GRID
36	1090013	DOSER CYLINDER \varnothing 124x113 mm
36	1252701	DOSER CYLINDER
37	1241750	COFFEE ADJUSTER
38	1343300	COMPLETE STAR WITHOUT BOSS
39	1252702	DOSER BLADE RING
41	1343301	STAR WITH BOSS
42	1250350	DOSER BOSS SPRING
43	1343302	STAR WITH THREADED PIN
44	1343061	STAR WASHER \varnothing 35x8.5x0.5 mm
46	1252428	DOSER CASE PIN \varnothing 6x24 mm
48	1252421	PIN CAP \varnothing 6x6 mm
49	1252706	DOSER LEVER
50	1252707	DOSER LEVER SPRING \varnothing 4.5x24 mm
51	1252424	DOSER LEVER PIN \varnothing 5x17 mm
52	1250352	DOSER TORSION SPRING
53	1090014	DOSER BOTTOM LID
54	1252704	COUNTER FOR COFFEE GRINDER
55	1252705	DOSER PAWL
56	1252719	AUTOMATIC MICROSWITCH BOX
59	3240123	MICROSWITCH 16A 250V
61	1240049	DOSER FLAP
62	1385202	TAMPER HOLDER
63	1385200	TAMPER \varnothing 57 mm
63	1385201	TAMPER \varnothing 51.5 mm
66	1250146	COFFEE TAMPER SPING \varnothing 10x65 mm
68	1385015	COFFEE TAMPER \varnothing 57 mm
69	1343060	PIN FR DOSER SCRAPER \varnothing 2x57 mm
72	3068016	CAPACITOR μ F 10 450V 50/60Hz



GRINDER ASSEMBLY M7K-M7KT-M7KA

M7K-M7KT-M7KA





MACAP

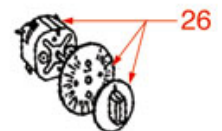
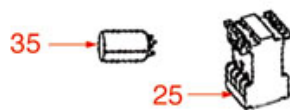
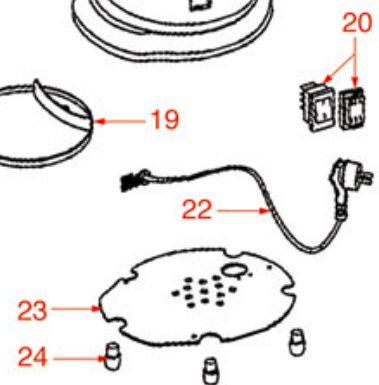
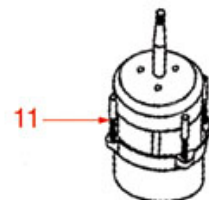
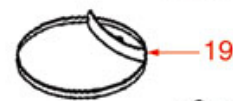
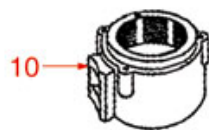
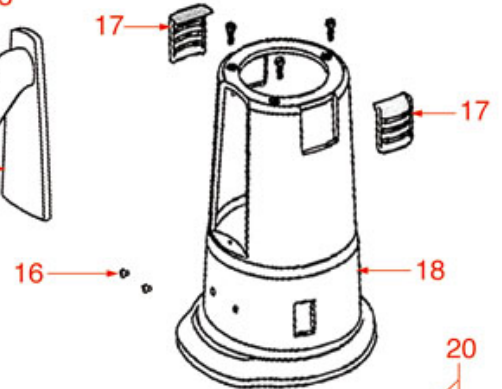
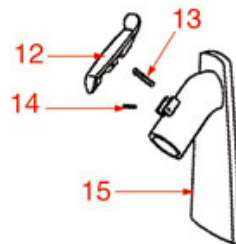
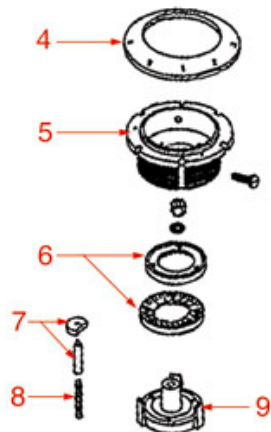
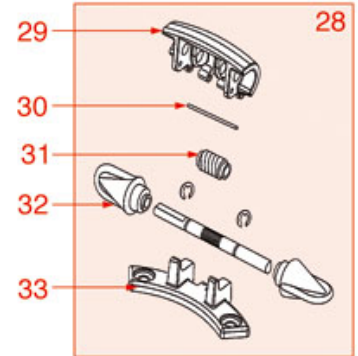
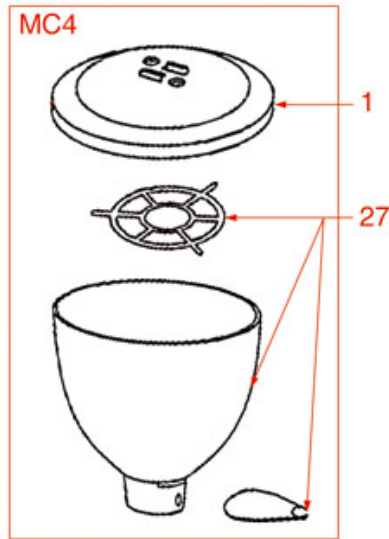
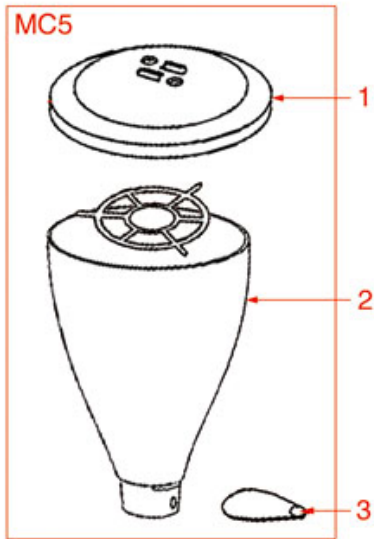


Position	LF code no.	Description
1	1252708	COFFEE HOPPER LID
2	1252709	COFFEE HOPPER
3	1080069	COFFEE CONTAINER CLOSING SHEET
7	1251076	CONICAL GRINDING BURRS ROSSI (PAIR) RH
8	1252710	GRINDING BURRS LOCKING PIN
9	1250353	GRINDING BURRS LOCKING SPRING
10	1251107	GRINDING BURRS BOTTOM HOLDER
13	1252425	AIR INLET
15	1252714	FILTER HOLDER FORK
17	1252418	COFFEE COLLECTING TRAY
18	1319350	WHITE BIPOLAR SWITCH 16A 250V
18	3319012	GREEN BIPOLAR SWITCH 16A 250V
22	1313007	COFFEE GRINDER SOFT FOOT \varnothing 15 mm
23	3446556	CONTACTOR LOVATO BG0910A
24	3068024	CAPACITOR μ F 16 450V 50/60Hz
25	1162007	FILTER HOLDER FORK
26	1446300	TIMER 4 MINUTES M2
27	1252426	COMPLETE MICROMETRIC ADJUSTER
33	1252423	ADJUSTMENT TOOTHED RING NUT \varnothing 114 mm
34	1252700	DOSER LID \varnothing 130 mm
35	1252718	PROTECTION GRID
36	1090013	DOSER CYLINDER \varnothing 124x113 mm
36	1252701	DOSER CYLINDER
37	1241750	COFFEE ADJUSTER
38	1343300	COMPLETE STAR WITHOUT BOSS
39	1252702	DOSER BLADE RING
41	1343301	STAR WITH BOSS
42	1250350	DOSER BOSS SPRING
43	1343302	STAR WITH THREADED PIN
44	1343061	STAR WASHER \varnothing 35x8.5x0.5 mm
46	1252428	DOSER CASE PIN \varnothing 6x24 mm
48	1252421	PIN CAP \varnothing 6x6 mm
49	1252706	DOSER LEVER
50	1252707	DOSER LEVER SPRING \varnothing 4.5x24 mm
51	1252424	DOSER LEVER PIN \varnothing 5x17 mm
52	1250352	DOSER TORSION SPRING
53	1090014	DOSER BOTTOM LID
54	1252704	COUNTER FOR COFFEE GRINDER
55	1252705	DOSER PAWL
56	1252719	AUTOMATIC MICROSWITCH BOX
59	3240123	MICROSWITCH 16A 250V
61	1240049	DOSER FLAP
62	1385202	TAMPER HOLDER
63	1385200	TAMPER \varnothing 57 mm
63	1385201	TAMPER \varnothing 51.5 mm
66	1250146	COFFEE TAMPER SPING \varnothing 10x65 mm
68	1385015	COFFEE TAMPER \varnothing 57 mm
69	1343060	PIN FR DOSER SCRAPER \varnothing 2x57 mm
72	3068024	CAPACITOR μ F 16 450V 50/60Hz



COFFEE GRINDER MC4-MC4T-MC5-MC5T

MC4-MC4T-MC5-MC5T





MACAP

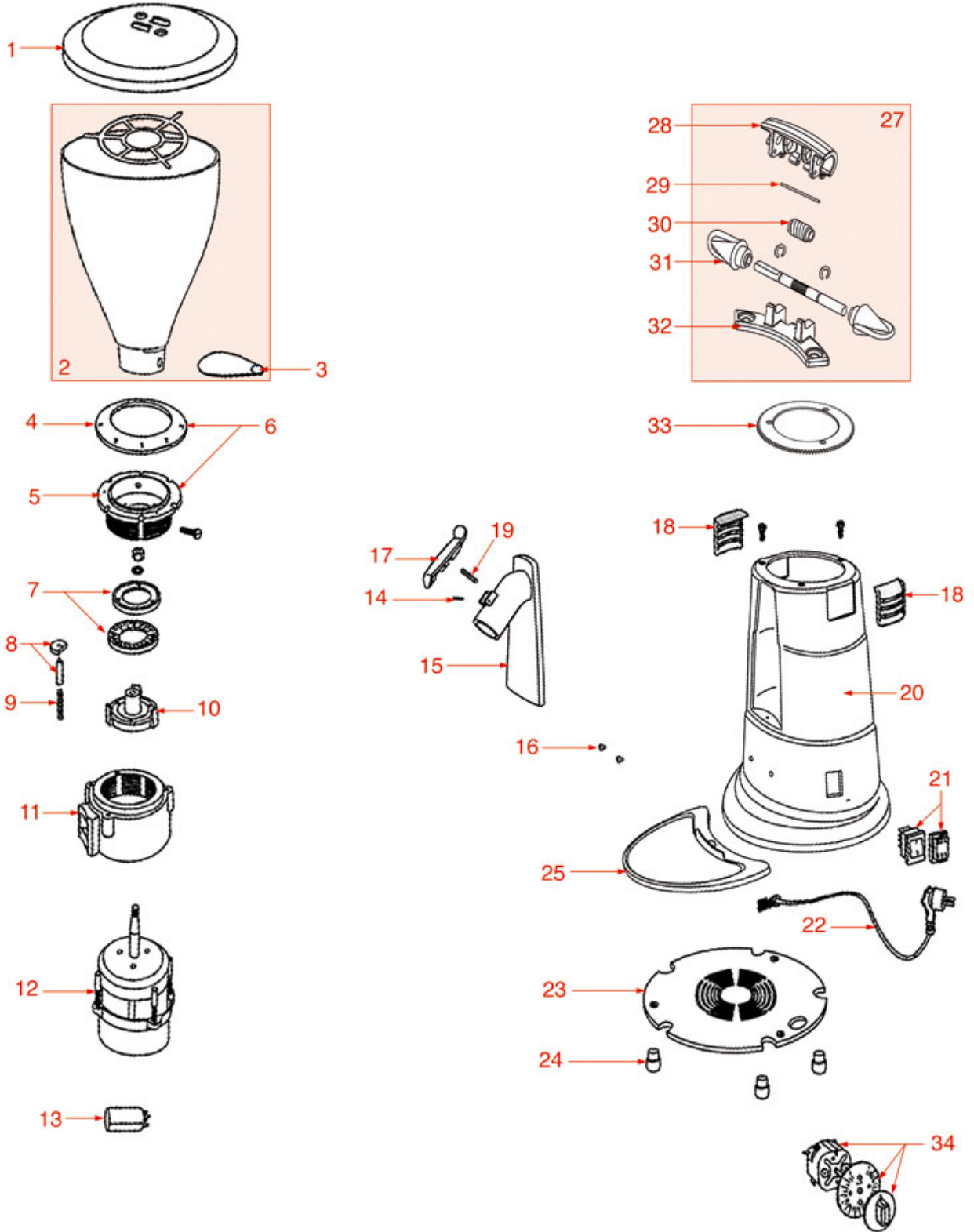


Position	LF code no.	Description
1	1252715	COFFEE HOPPER LID
2	1252716	COFFEE HOPPER
3	1080068	COFFEE CONTAINER CLOSING SHEET
4	1251306	BURRS HOLDER UPPER RING NUT M4-M5
6	1251308	GRINDING BURRS MACAP (PAIR) RIGHT
7	1252710	GRINDING BURRS LOCKING PIN
8	1250353	GRINDING BURRS LOCKING SPRING
9	1251309	GRINDING BURRS BOTTOM HOLDER
17	1252425	AIR INLET
19	1252419	COFFEE COLLECTING TRAY \varnothing 138 mm
20	1319350	WHITE BIPOLAR SWITCH 16A 250V
24	1313008	COFFEE GRINDER HARD FOOT \varnothing 15 mm
25	3446556	CONTACTOR LOVATO BG0910A
26	1446300	TIMER 4 MINUTES M2
27	1252717	COFFEE HOPPER
28	1252426	COMPLETE MICROMETRIC ADJUSTER
35	3068010	CAPACITOR μ F 6.3 450V 50/60Hz



COFFEE GRINDER MC6-MC6T

MC6-MC6T





MACAP

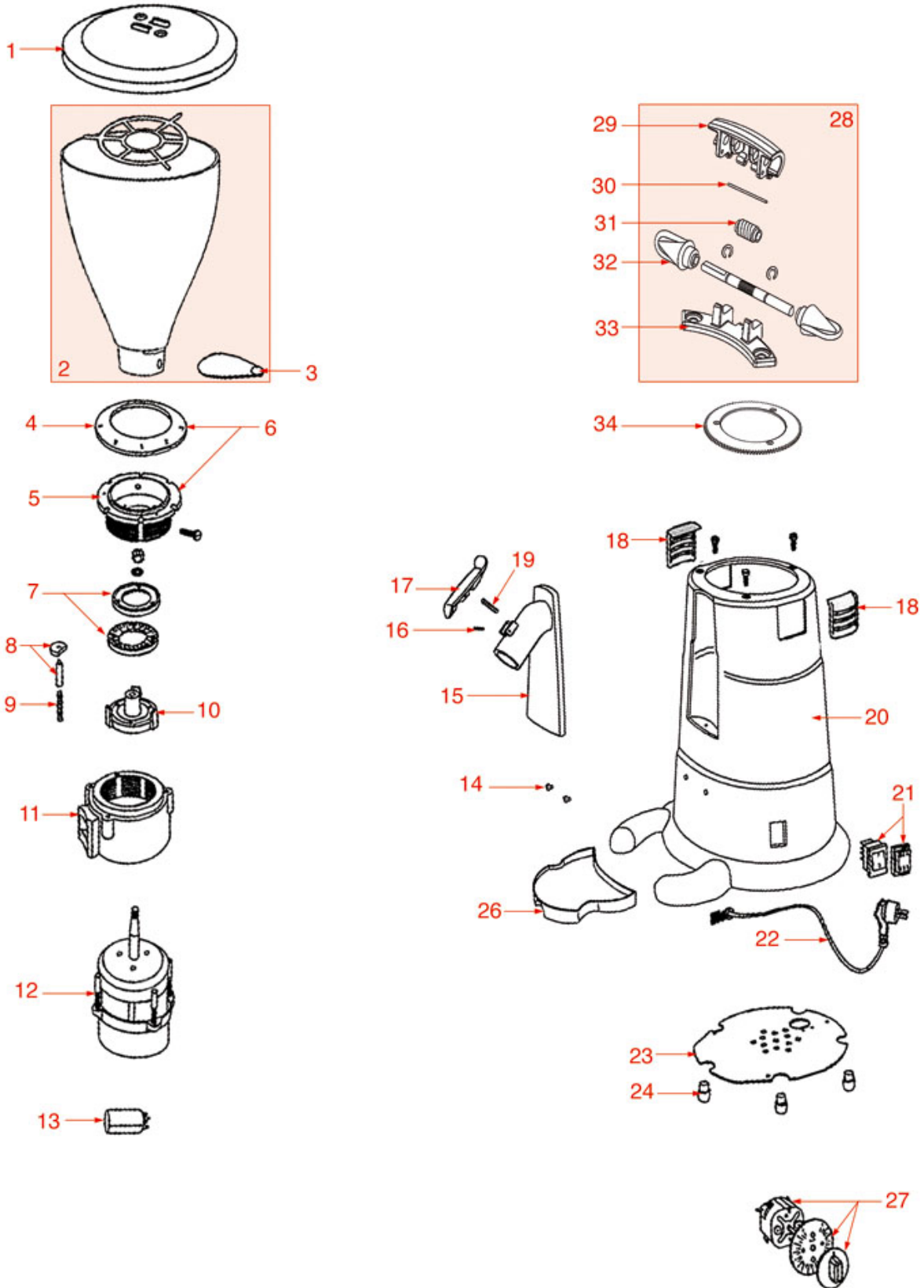


Position	LF code no.	Description
1	1252708	COFFEE HOPPER LID
2	1252709	COFFEE HOPPER
3	1080069	COFFEE CONTAINER CLOSING SHEET
6	1251303	GRINDING BURRS TOP HOLDER MX
7	1251304	GRINDING BURRS MACAP (PAIR) RIGHT
8	1252710	GRINDING BURRS LOCKING PIN
9	1250353	GRINDING BURRS LOCKING SPRING
10	1251305	GRINDING BURRS BOTTOM HOLDER MODEL MX
13	3068016	CAPACITOR μ F 10 450V 50/60Hz
18	1252425	AIR INLET
21	1319350	WHITE BIPOLAR SWITCH 16A 250V
24	1313008	COFFEE GRINDER HARD FOOT \varnothing 15 mm
25	1252420	COFFEE COLLECTING TRAY
27	1252426	COMPLETE MICROMETRIC ADJUSTER
33	1252422	ADJUSTMENT TOOTHED RING NUT \varnothing 106 mm
34	1446300	TIMER 4 MINUTES M2



COFFEE GRINDER MC7-MC7T

MC7-MC7T





MACAP

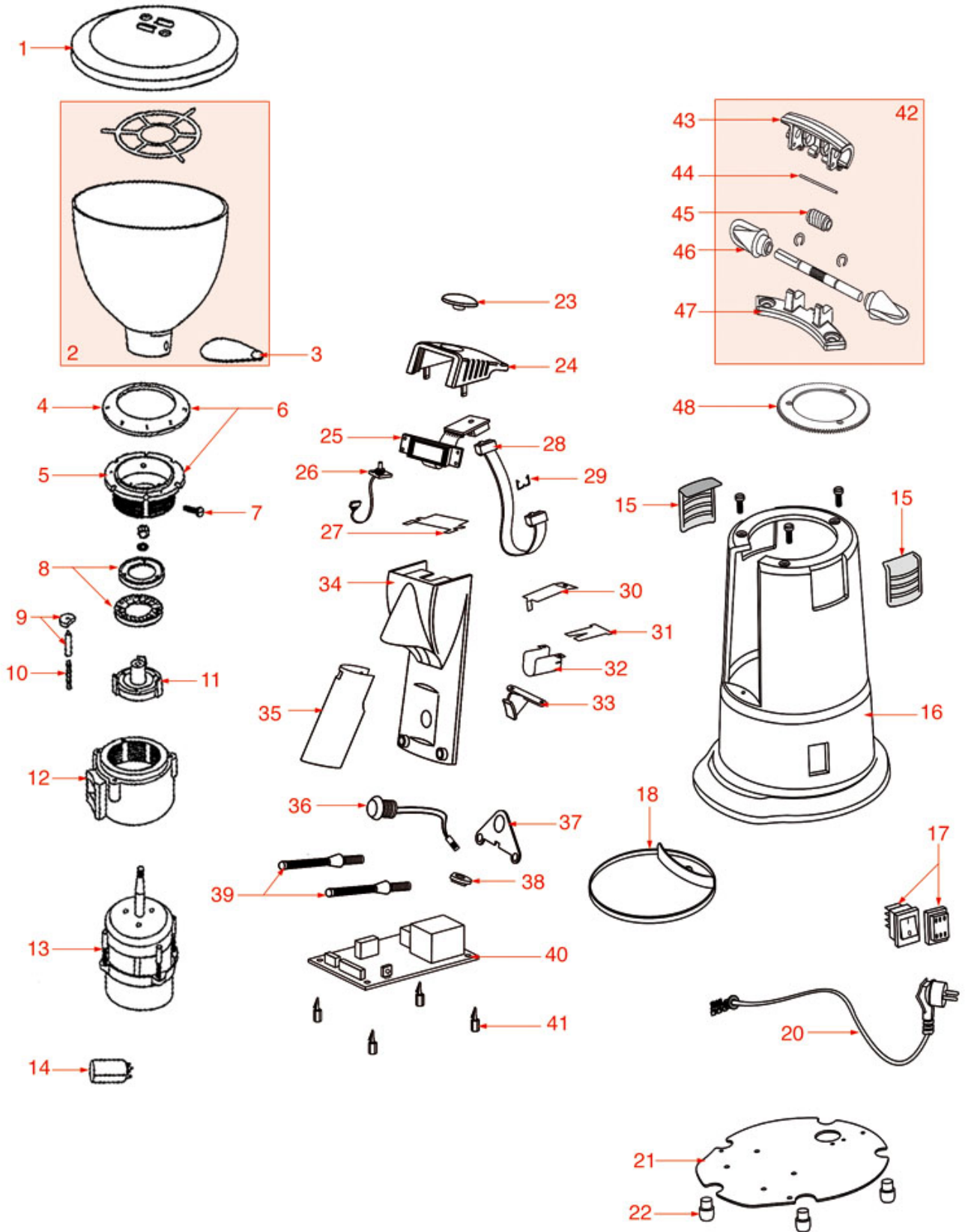


Position	LF code no.	Description
1	1252708	COFFEE HOPPER LID
2	1252709	COFFEE HOPPER
3	1080069	COFFEE CONTAINER CLOSING SHEET
7	1251310	GRINDING BURRS MACAP (PAIR) RIGHT
8	1252710	GRINDING BURRS LOCKING PIN
9	1250353	GRINDING BURRS LOCKING SPRING
13	3068027	CAPACITOR μ F 20 450V 50/60Hz
18	1252425	AIR INLET
21	1319350	WHITE BIPOLAR SWITCH 16A 250V
24	1313007	COFFEE GRINDER SOFT FOOT \varnothing 15 mm
26	1252418	COFFEE COLLECTING TRAY
27	1446300	TIMER 4 MINUTES M2
28	1252426	COMPLETE MICROMETRIC ADJUSTER
34	1252423	ADJUSTMENT TOOTHED RING NUT \varnothing 114 mm



COFFEE GRINDER DIGITAL M4D

M4D





MACAP

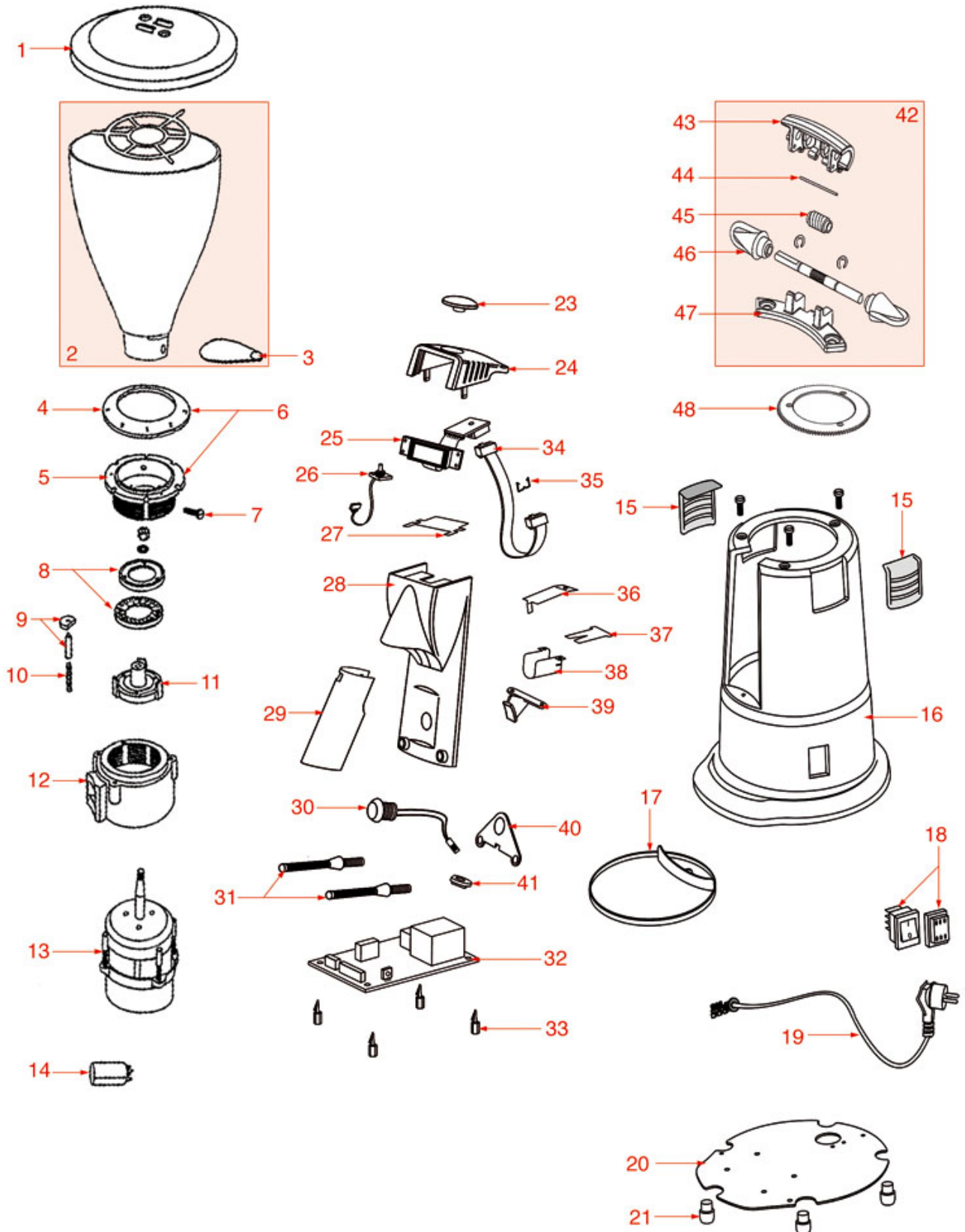


Position	LF code no.	Description
1	1252715	COFFEE HOPPER LID
2	1252717	COFFEE HOPPER
3	1080068	COFFEE CONTAINER CLOSING SHEET
4	1251306	BURRS HOLDER UPPER RING NUT M4-M5
8	1251095	GRINDING BURRS PAIR MACAP RH
9	1252710	GRINDING BURRS LOCKING PIN
10	1250353	GRINDING BURRS LOCKING SPRING
11	1251108	GRINDING BURRS BOTTOM HOLDER
14	3068019	CAPACITOR μ F 12.5 450V 50/60Hz
15	1252425	AIR INLET
17	1319350	WHITE BIPOLAR SWITCH 16A 250V
18	1252419	COFFEE COLLECTING TRAY \varnothing 138 mm
22	1313007	COFFEE GRINDER SOFT FOOT \varnothing 15 mm
42	1252426	COMPLETE MICROMETRIC ADJUSTER



COFFEE GRINDER DIGITAL M5D

M5D



MP1301



MACAP

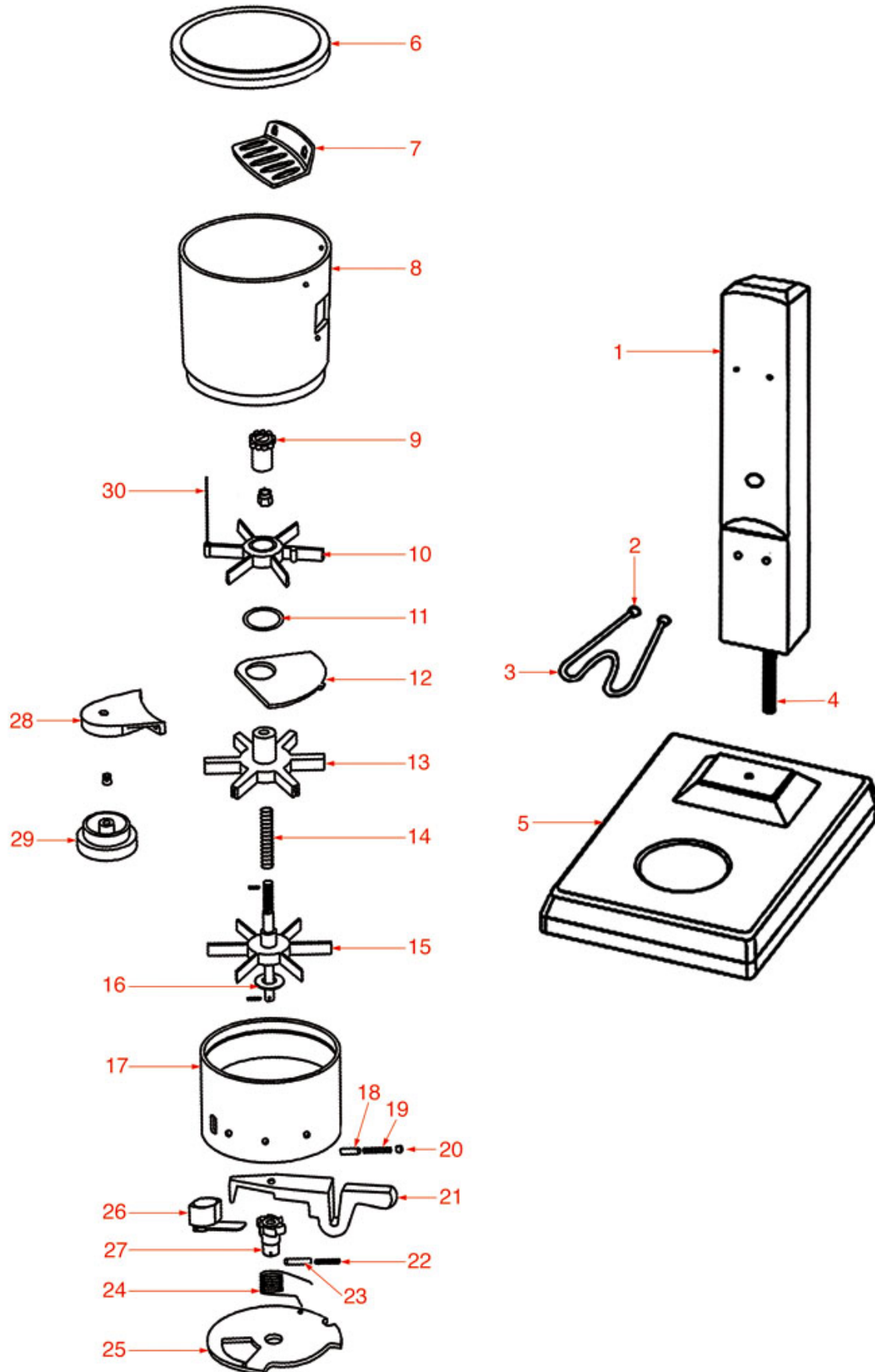


Position	LF code no.	Description
1	1252715	COFFEE HOPPER LID
2	1252716	COFFEE HOPPER
3	1080068	COFFEE CONTAINER CLOSING SHEET
4	1251306	BURRS HOLDER UPPER RING NUT M4-M5
8	1251095	GRINDING BURRS PAIR MACAP RH
9	1252710	GRINDING BURRS LOCKING PIN
10	1250353	GRINDING BURRS LOCKING SPRING
11	1251108	GRINDING BURRS BOTTOM HOLDER
14	3068019	CAPACITOR μ F 12.5 450V 50/60Hz
15	1252425	AIR INLET
17	1252419	COFFEE COLLECTING TRAY \varnothing 138 mm
18	1319350	WHITE BIPOLAR SWITCH 16A 250V
21	1313007	COFFEE GRINDER SOFT FOOT \varnothing 15 mm
42	1252426	COMPLETE MICROMETRIC ADJUSTER



DOSING COMPARTMENT A3

A3



MP1401



MACAP

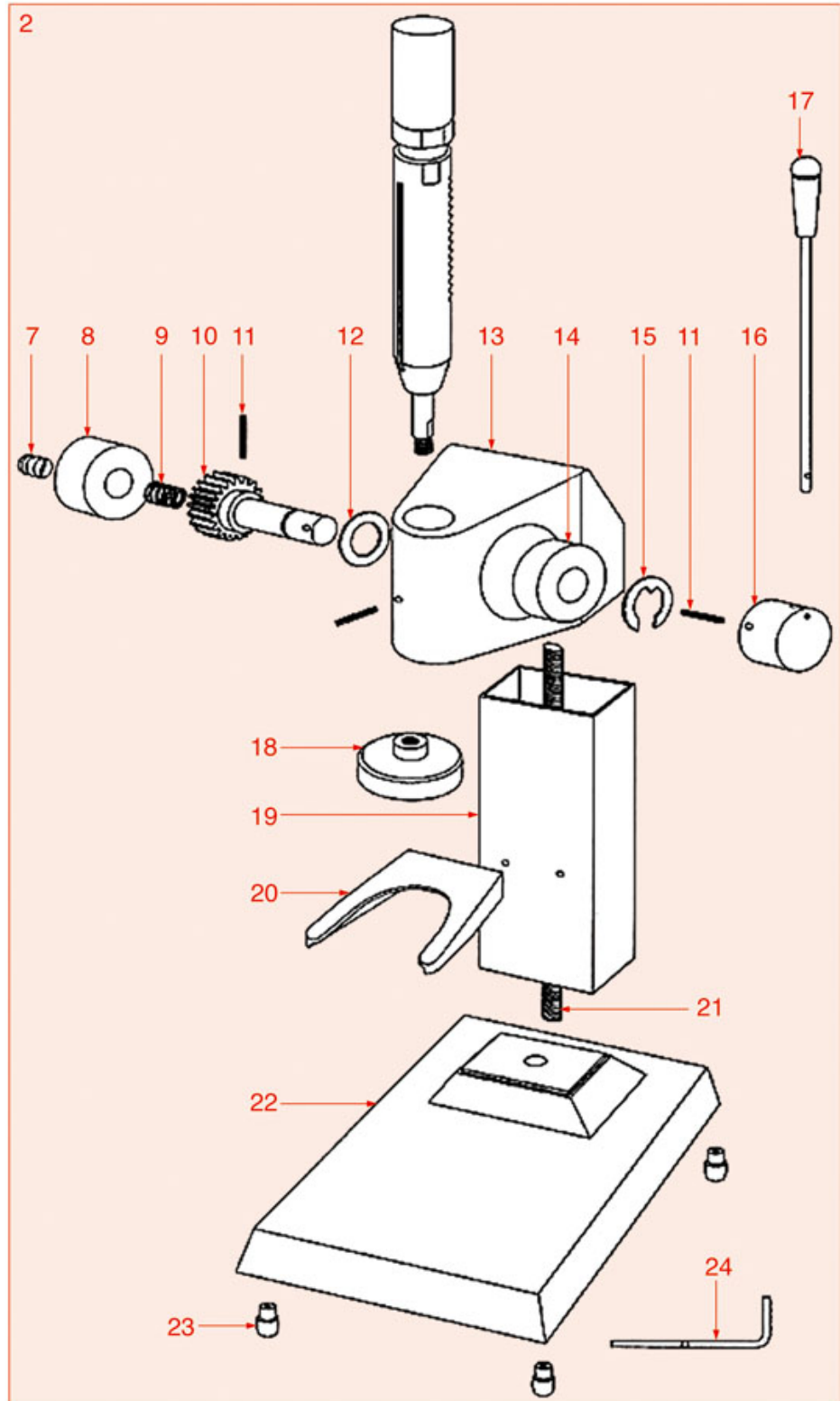
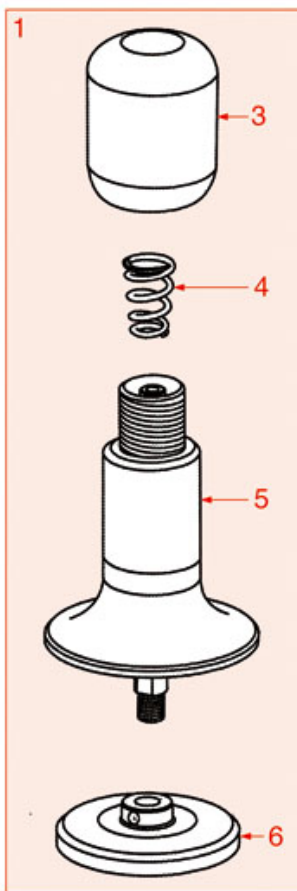


Position	LF code no.	Description
3	1252714	FILTER HOLDER FORK
6	1252700	DOSER LID ø 130 mm
7	1252718	PROTECTION GRID
8	1252701	DOSER CYLINDER
9	1241750	COFFEE ADJUSTER
10	1343300	COMPLETE STAR WITHOUT BOSS
11	1252702	DOSER BLADE RING
13	1343301	STAR WITH BOSS
14	1250350	DOSER BOSS SPRING
15	1343302	STAR WITH THREADED PIN
16	1343061	STAR WASHER ø 35x8.5x0.5 mm
18	1252428	DOSER CASE PIN ø 6x24 mm
20	1252421	PIN CAP ø 6x6 mm
21	1252706	DOSER LEVER
22	1252707	DOSER LEVER SPRING ø 4.5x24 mm
23	1252424	DOSER LEVER PIN ø 5x17 mm
24	1250352	DOSER TORSION SPRING
25	1090014	DOSER BOTTOM LID
26	1252704	COUNTER FOR COFFEE GRINDER
27	1252705	DOSER PAWL
28	1385202	TAMPER HOLDER
29	1385200	TAMPER ø 57 mm
29	1385201	TAMPER ø 51.5 mm
30	1343060	PIN FR DOSER SCRAPER ø 2x57 mm



DYNAMOMETRIC TAMPER CPM1-CPM2-CPS

CPM1-CPM2-CMPS





MACAP



Position	LF code no.	Description
1	1385600	DYNAMOMETRIC MANUAL COFFEE TAMPER ø 57mm
1	1385601	DYNAMOMETRIC MANUAL TAMPER ø 52 mm
2	1385605	DYNAMOMETRIC COFFEE TAMPER ø 52/57 mm
23	1313008	COFFEE GRINDER HARD FOOT ø 15 mm



Suitable for:

MACAP



Suitable for:

Accident prevention devices-protections

1252718 PROTECTION GRID



MACAP C0007M110

Adjustment rings for coffee grinder

1252422 ADJUSTMENT TOOTHED RING NUT \varnothing 106 mm
for Coffee grinder (MACAP) MC6 - MC6T
for Grinder-dispenser (MACAP) MX - MXA - MXA900
MXK - MXKA - MXKT - MXT - MXT900 - MX900



MACAP C0007M162A

1252423 ADJUSTMENT TOOTHED RING NUT \varnothing 114 mm
for Coffee grinder (MACAP) MC7 - MC7T
for Grinder-dispenser (MACAP) M7 - M7A - M7A900
M7K - M7KA - M7KT - M7T - M7T900 - M7900



MACAP C0007M163A

1252427 ADJUSTMENT TOOTHED RING NUT \varnothing 98 mm
for Coffee grinder (MACAP) MC4 - MC4T - MC5 - MC5T
for Grinder-dispenser (MACAP) M4 - M4A - M4D - M4T
M5 - M5A - M5D - M5T



MACAP C0007M158A

Bodies

1252425 AIR INLET



MACAP C0007M141

1251306 BURRS HOLDER UPPER RING NUT M4-M5
for Coffee grinder (MACAP) MC4 - MC4T - MC5 - MC5T
for Grinder-dispenser (GAGGIA) MD58COMPACT
for Grinder-dispenser (MACAP) DIGITALEM4D
DIGITALEM5D - M4 - M4A - M4T - M5 - M5A - M5T
for Grinder-dispenser (SPAZIALE) ASTRO12
ASTRO12/A - ASTRO8 - ASTRO8/A - TOP



MACAP C0007M158



Capacitors

3068016 CAPACITOR μ F 10 450V 50/60Hz
operating temperature $-25+85^{\circ}\text{C}$
in compliance with EEC 93/68 and 92/31 regulations



MACAP C00061107

3068019 CAPACITOR μ F 12.5 450V 50/60Hz
operating temperature $-25+85^{\circ}\text{C}$
in compliance with EEC 93/68 and 92/31 regulations



MACAP C00061111

3068024 CAPACITOR μ F 16 450V 50/60Hz
operating temperature $-25+85^{\circ}\text{C}$
in compliance with EEC 93/68 and 92/31 regulations



MACAP C00061108

3068027 CAPACITOR μ F 20 450V 50/60Hz
operating temperature $-25+85^{\circ}\text{C}$
in compliance with EEC 93/68 and 92/31 regulations



MACAP C00061128

3068010 CAPACITOR μ F 6.3 450V 50/60Hz
operating temperature $-25+85^{\circ}\text{C}$
in compliance with EEC 93/68 and EEC 92/31 regulat



MACAP C00061126

Containers for coffee

1080068 COFFEE CONTAINER CLOSING SHEET
for Coffee grinder (MACAP) MC4 - MC4T - MC5 - MC5T
for Grinder-dispenser (GAGGIA) MD58COMPACT
for Grinder-dispenser (MACAP) M4 - M4A - M4D - M4T
M5 - M5A - M5D - M5T



MACAP C0007M157C

1080069 COFFEE CONTAINER CLOSING SHEET
for Coffee grinder (MACAP) MC6 - MC6T - MC7 - MC7T
for Grinder-dispenser (GAGGIA) MD64NEW - MD75
for Grinder-dispenser (MACAP) MX - MXA - MXA900
MXK - MXKA - MXKT - MXT - MXT900 - MX900 - M7
M7A - M7A900 - M7K - M7KA - M7KT - M7T
M7T900 - M7900



MACAP C0007M101C



Suitable for:

MACAP



1252709 COFFEE HOPPER

for Coffee grinder (MACAP) MC6 - MC6T - MC7 - MC7T
 for Grinder-dispenser (ELEKTRA) MX - MXA - MXP
 MXPC
 for Grinder-dispenser (GAGGIA) MD64NEW - MD75
 for Grinder-dispenser (MACAP) MX - MXA - MXA900
 MXK - MXKA - MXKT - MXT - MXT900 - MX900 - M7
 M7A - M7A900 - M7K - M7KA - M7KT - M7T
 M7T900 - M7900
 for Grinder-dispenser (SPAZIALE) MX - MXA - MXT
 M900 - M900A - M900T



MACAP C0007M113

1252716 COFFEE HOPPER

for Coffee grinder (MACAP) MC4 - MC4T - MC5 - MC5T
 for Grinder-dispenser (GAGGIA) MD58COMPACT
 for Grinder-dispenser (MACAP) M5 - M5A - M5T
 for Grinder-dispenser (SPAZIALE) TOP



MACAP C0007M157

1252717 COFFEE HOPPER

for Coffee grinder (MACAP) MC4 - MC4T - MC5 - MC5T
 for Grinder-dispenser (MACAP) M4 - M4A - M4T



MACAP C0007M161

1252708 COFFEE HOPPER LID

for Coffee grinder (MACAP) MC6 - MC6T - MC7 - MC7T
 for Grinder-dispenser (GAGGIA) MD64NEW - MD75
 for Grinder-dispenser (MACAP) MX - MXA - MXA900
 MXK - MXKA - MXKT - MXT - MXT900 - MX900 - M7
 M7A - M7A900 - M7K - M7KA - M7KT - M7T
 M7T900 - M7900
 for Grinder-dispenser (SPAZIALE) MX - MXA - MXT
 M900 - M900A - M900T



MACAP C0007M114

1252715 COFFEE HOPPER LID

for Coffee grinder (MACAP) MC4 - MC4T - MC5 - MC5T
 for Grinder-dispenser (GAGGIA) MD58COMPACT
 for Grinder-dispenser (MACAP) M4 - M4A - M4T - M5
 M5A - M5T
 for Grinder-dispenser (SPAZIALE) TOP



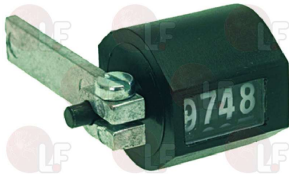
MACAP C0007M156



Counters

1252704 COUNTER FOR COFFEE GRINDER

for Grinder-dispenser (ELEKTRA) MX - MXA - MXP
MXPC
for Grinder-dispenser (GAGGIA) MD58COMPACT
MD64NEW - MD75
for Grinder-dispenser (MACAP) MX - MXA - MXA900
MXK - MXKA - MXKT - MXT - MXT900 - MX900 - M4
M4A - M4T - M5 - M5A - M5T - M7 - M7A - M7A900
M7K - M7KA - M7KT - M7T - M7T900 - M7900
for Grinder-dispenser (SPAZIALE) ASTRO12
ASTRO12/A - ASTRO8 - ASTRO8/A - ASTRO8/CA - MX
MXA - MXT - M900 - M900A - M900T



MACAP C0009M102

Dosers for coffee

1090014 DOSER BOTTOM LID



MACAP C0007M138

1252701 DOSER CYLINDER

for Coffee grinder (MACAP) MXA90
for Coffee grinder (SPAZIALE) ASTRO 12 - ASTRO 8
12/A - 8/A
for Grinder-dispenser (ELEKTRA) MX - MXA
for Grinder-dispenser (GAGGIA) MD64NEW - MD75
for Grinder-dispenser (MACAP) MX - MXA - MXK
MXKA - MXKT - MXT - MXT900 - MX900 - M7 - M7A
M7A90 - M7K - M7KA - M7KT - M7T - M7T900
M7900
for Grinder-dispenser (SPAZIALE) MX - MXA - MXT
M900 - M900A - M900T



MACAP C0007M106

1090013 DOSER CYLINDER ø 124x113 mm

for MACAP
MX-MXT-MXA-MXK-MXKT-MXKA-M7-M7T-M7A-M7K
M7KT-M7KA-M7900-M7T900-M7A900-MX900-MXT900-MXA900
for SPAZIALE MX-MXT-MXA-M900-M900T-M900A
ASTRO 8/CA-ASTRO 8-8/A-ASTRO 12-12/A
for GAGGIA MD64 NEW-MD75
for Grinder-dispenser (GAGGIA) MD64 - MD75
for Grinder-dispenser (MACAP) MX - MXA - MXA900
MXK - MXKA - MXKT - MXT - MXT900 - MX900 - M7
M7A - M7A900 - M7K - M7KA - M7KT - M7T
M7T900 - M7900
for Grinder-dispenser (SPAZIALE) MX - MXA - MXT
M900 - M900A - M900T



MACAP C0007M1062

1090012 DOSER CYLINDER ø 124x90 mm

for Grinder-dispenser (GAGGIA) MD58COMPACT
for Grinder-dispenser (MACAP) M4 - M4A - M4T - M5
M5A - M5T



MACAP C0007M1591



Suitable for:

MACAP



1385203 DOSER CYLINDER ø 125x90 mm

for Grinder-dispenser (GAGGIA) MD58COMPACT
for Grinder-dispenser (MACAP) M4 - M4A - M4T - M5
M5A - M5T
for Grinder-dispenser (SPAZIALE) TOP



MACAP C0007M159

1252700 DOSER LID ø 130 mm

for Coffee grinder (MACAP) MXA90
for Grinder-dispenser (ELEKTRA) MX - MXA - MXP
MXPC
for Grinder-dispenser (GAGGIA) MD58COMPACT
MD64NEW - MD75
for Grinder-dispenser (MACAP) MX - MXA - MXK
MXKA - MXKT - MXT - MXT900 - MX900 - M4 - M4A
M4T - M5 - M5A - M5T - M7 - M7A - M7A90 - M7K
M7KA - M7KT - M7T - M7T900 - M7900
for Grinder-dispenser (SPAZIALE) MX - MXA - MXT
M900 - M900A - M900T - TOP



MACAP C0007M105

1343060 PIN FR DOSER SCRAPER ø 2x57 mm



MACAP C0004M107

Feet

1313008 COFFEE GRINDER HARD FOOT ø 15 mm

for Coffee grinder (MACAP) MC4 - MC4T - MC5 - MC5T
MC6 - MC6T
for Grinder-dispenser (GAGGIA) MD58COMPACT
MD64NEW
for Grinder-dispenser (MACAP) MX - MXA - MXA900
MXK - MXKA - MXKT - MXT - MXT900 - MX900 - M4
M4A - M4T - M5 - M5A - M5T
for Grinder-dispenser (SPAZIALE) ASTRO12
ASTRO12/A - ASTRO8 - ASTRO8/A - ASTRO8/CA - MX
MXA - MXT - M900 - M900A - M900T - TOP



MACAP C00071614

1313007 COFFEE GRINDER SOFT FOOT ø 15 mm

for Coffee grinder (MACAP) MC7 - MC7T
for Grinder-dispenser (GAGGIA) MD75
for Grinder-dispenser (MACAP) M4D - M5D - M7 - M7A
M7A900 - M7K - M7KA - M7KT - M7T - M7T900
M7900



MACAP C000716140



Forks for portafilter coffee grinder

1162006 FILTER HOLDER FORK

for Grinder-dispenser (GAGGIA) MD64NEW
for Grinder-dispenser (MACAP) MX - MXA - MXA900
MXK - MXKA - MXKT - MXT - MXT900 - MX900
for Grinder-dispenser (SPAZIALE) MX - MXA - MXT



MACAP C0001M114

1162007 FILTER HOLDER FORK

for Grinder-dispenser (GAGGIA) MD75
for Grinder-dispenser (MACAP) M7 - M7A - M7A900
M7K - M7KA - M7KT - M7T - M7T900 - M7900
for Grinder-dispenser (SPAZIALE) M900 - M900A
M900T



MACAP C0001M710

1252714 FILTER HOLDER FORK

for Grinder-dispenser (GAGGIA) MD58COMPACT
MD64NEW - MD75
for Grinder-dispenser (MACAP) MX - MXA - MXA900
MXK - MXKA - MXKT - MXT - MXT900 - MX900 - M4
M4A - M4T - M5 - M5A - M5T - M7 - M7A - M7A900
M7K - M7KA - M7KT - M7T - M7T900 - M7900
for Grinder-dispenser (SPAZIALE) MX - MXA - MXT
M900 - M900A - M900T - TOP



MACAP C0004M109

Grinders

1251101 CONICAL GRINDING BURRS MACAP(PAIR) RIGHT

external \varnothing 63/40 mm - internal \varnothing 33/13 mm
thickness 23 mm - 3 mounting holes
for Grinder-dispenser (MACAP) MXK - MXKA - MXKT
for Grinder-dispenser (SPAZIALE) ASTRO8/CA



MACAP C0004M122B

1251076 CONICAL GRINDING BURRS ROSSI (PAIR) RH

external \varnothing 68/49 mm - internal \varnothing 41/13 mm
thickness 25 mm - 4 mounting holes
inner groove for feather
for Grinder-dispenser (BRASILIA) MC
for Grinder-dispenser (CASADIO) GC98
for Grinder-dispenser (MACAP) M7K - M7KA - M7KT
for Grinder-dispenser (OBEL) MITOCONIC
for Grinder-dispenser (ROSSI) MC



MACAP C0004M121B



Suitable for:

MACAP



1251097 GRINDING BURRS MACAP (PAIR) RIGHT
 external \varnothing 74 mm - internal \varnothing 43 mm
 height 9 mm - 3 mounting holes
 for Grinder-dispenser (MACAP) M7A900 - M7T900
 M7900



MACAP C0004M121A

1251302 GRINDING BURRS MACAP (PAIR) RIGHT
 external \varnothing 68 mm - internal \varnothing 38 mm
 thickness 9 mm - 3 fixing holes
 for Grinder-dispenser (SPAZIALE) M900 - M900A
 M900T



MACAP C0004M123

1251304 GRINDING BURRS MACAP (PAIR) RIGHT
 external \varnothing 65 mm - internal \varnothing 38 mm
 thickness 8.5 mm - 3 fixing holes
 for Coffee grinder (MACAP) MC6 - MC6T
 for Grinder-dispenser (ELEKTRA) MX - MXA
 for Grinder-dispenser (GAGGIA) MD64NEW
 for Grinder-dispenser (MACAP) MX - MXA - MXT
 for Grinder-dispenser (SPAZIALE) ASTRO12
 ASTRO12/A - ASTRO8 - ASTRO8/A - MX - MXA - MXT



MACAP C0004M122

1251308 GRINDING BURRS MACAP (PAIR) RIGHT
 external \varnothing 58 mm - internal \varnothing 34 mm
 thickness 8.5 mm - 3 fixing holes
 for Coffee grinder (MACAP) MC4 - MC4T - MC5 - MC5T
 for Grinder-dispenser (MACAP) MD58COMPACT - M4
 M4A - M4T - M5 - M5A - M5T



MACAP C0004M135

1251310 GRINDING BURRS MACAP (PAIR) RIGHT
 external \varnothing 74 mm - internal \varnothing 42 mm
 thickness 9 mm - 3 fixing holes
 for Coffee grinder (ELEKTRA) MC7 - MC7T
 for Grinder-dispenser (ELEKTRA) MXP - MXPC - M7
 M7A - M7T
 for Grinder-dispenser (GAGGIA) MD75



MACAP C0004M121

MACAP

1251095 GRINDING BURRS PAIR MACAP RH
 external \varnothing 58 mm - internal \varnothing 34 mm
 height 8.5 mm - 3 mounting holes
 for Grinder-dispenser (MACAP) M4D - M5D



MACAP C0004M135A

1251104 GRINDING BURRS PAIR MACAP RH
 external \varnothing 64.6 mm - internal \varnothing 38 mm
 height 8.6 mm - 3 mounting holes
 for Grinder-dispenser (MACAP) MXA900 - MXT900
 MX900

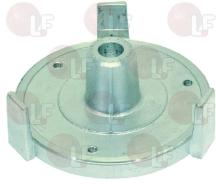


MACAP C0004M122A



Grinding burr holders

1251096 BOTTOM HOLDER FOR GRINDING BURRS \varnothing 74 mm
for Grinder-dispenser (MACAP) M7A900 - M7T900
M7900



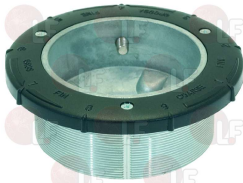
MACAP C0002M111A

1251100 BURRS HOLDER UPPER RING NUT
for Grinder-dispenser (MACAP) MXA900 - MXT900
MX900



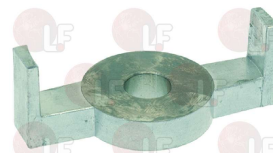
MACAP C0002M133

1251102 BURRS HOLDER UPPER RING NUT
for Grinder-dispenser (MACAP) M7A900 - M7T900
M7900



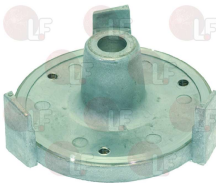
MACAP C0002M134

1251103 GRINDING BURRS BOTTOM HOLDER
for Grinder-dispenser (MACAP) MXK - MXKA - MXKT
for Grinder-dispenser (SPAZIALE) ASTRO8/CA



MACAP C0002M113

1251105 GRINDING BURRS BOTTOM HOLDER
for Grinder-dispenser (MACAP) MXA900 - MXT900
MX900



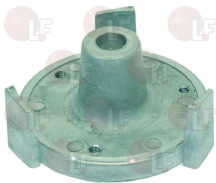
MACAP C0002M1041

1251107 GRINDING BURRS BOTTOM HOLDER
for Grinder-dispenser (MACAP) M7K - M7KA - M7KT



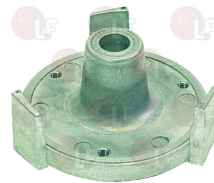
MACAP C0002M120

1251108 GRINDING BURRS BOTTOM HOLDER
for Grinder-dispenser (MACAP) M4D - M5D



MACAP C0002M108A

1251309 GRINDING BURRS BOTTOM HOLDER
for Coffee grinder (MACAP) MC4 - MC4T - MC5 - MC5T
for Grinder-dispenser (GAGGIA) MD58COMPACT
for Grinder-dispenser (MACAP) M4 - M4A - M4T - M5
M5A - M5T
for Grinder-dispenser (SPAZIALE) TOP



MACAP C0002M108

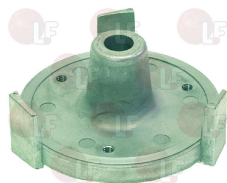


Suitable for:

MACAP



1251305 GRINDING BURRS BOTTOM HOLDER MODEL MX
 for Coffee grinder (MACAP) MC6 - MC6T
 for Grinder-dispenser (ELEKTRA) MX - MXA
 for Grinder-dispenser (GAGGIA) MD64NEW
 for Grinder-dispenser (MACAP) MX - MXA - MXT
 for Grinder-dispenser (SPAZIALE) ASTRO12
 ASTRO12/A - ASTRO8 - ASTRO8/A - MX - MXA - MXT



MACAP C0002M104

Suitable for:

1251303 GRINDING BURRS TOP HOLDER MX
 new model
 for Coffee grinder (MACAP) MC6 - MC6T
 for Grinder-dispenser (ELEKTRA) MX - MXA
 for Grinder-dispenser (GAGGIA) MD64NEW
 for Grinder-dispenser (MACAP) MX - MXA - MXT
 for Grinder-dispenser (SPAZIALE) MX - MXA - MXT



MACAP C0002M101

1251301 GRINDING BURRS TOP HOLDER M9
 for Grinder-dispenser (SPAZIALE) ASTRO12
 ASTRO12/A - ASTRO8 - ASTRO8/A - M900 - M900A
 M900T



MACAP C0002M114

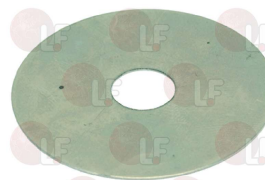
Ironmongery (screws,nuts,washers)

1252702 DOSER BLADE RING



MACAP C0004M110

1343061 STAR WASHER \varnothing 35x8.5x0.5 mm



MACAP C0004M120

Knobs

1241750 COFFEE ADJUSTER



MACAP C0007M123



Levers

1252706 DOSER LEVER

for Grinder-dispenser (ELEKTRA) MX - MXA - MXP
MXPC
for Grinder-dispenser (GAGGIA) MD58COMPACT
MD64NEW - MD75
for Grinder-dispenser (MACAP) MX - MXA - MXA900
MXK - MXKA - MXKT - MXT - MXT900 - MX900 - M4
M4A - M4T - M5 - M5A - M5T - M7 - M7A - M7A90
M7K - M7KA - M7KT - M7T - M7T900 - M7900
for Grinder-dispenser (SPAZIALE) ASTRO12
ASTRO12/A - ASTRO8 - ASTRO8/A - ASTRO8/CA - MX
MXA - MXT - M900 - M900A - M900T - TOP



MACAP C0002M103

Microswitches

1252719 AUTOMATIC MICROSWITCH BOX

for Grinder-dispenser (ELEKTRA) MX - MXA - MXP
MXPC
for Grinder-dispenser (GAGGIA) MD64NEW - MD75
for Grinder-dispenser (MACAP) MX - MXA - MXA900
MXK - MXKA - MXKT - MXT - MXT900 - MX900 - M7
M7A - M7A900 - M7K - M7KA - M7KT - M7T
M7T900 - M7900
for Grinder-dispenser (SPAZIALE) ASTRO12
ASTRO12/A - ASTRO8 - ASTRO8/A - ASTRO8/CA - MX
MXA - MXT - M900 - M900A - M900T



MACAP C0007M139A

1240049 DOSER FLAP



MACAP C0007M150

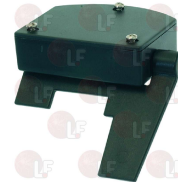
1240051 DOSER FLAP



MACAP C0007M150A

1240050 MICROSWITCH BOX ASSEMBLY

for Grinder-dispenser (GAGGIA) MD58COMPACT
for Grinder-dispenser (MACAP) M4 - M4A - M4T - M5
M5A - M5T



MACAP C0007M139B

3240123 MICROSWITCH 16A 250V



MACAP C00061016

MACAP C00061019



Suitable for:

MACAP



Suitable for:

Pawls for coffee grinder dosers

1252705 DOSER PAWL



MACAP C0002M106

Pins

1252426 COMPLETE MICROMETRIC ADJUSTER



MACAP C0007M11700

1252428 DOSER CASE PIN \varnothing 6x24 mm



MACAP C0004M112

1252424 DOSER LEVER PIN \varnothing 5x17 mm



MACAP C0004M111

1252710 GRINDING BURRS LOCKING PIN



MACAP C0002M102

1252421 PIN CAP \varnothing 6x6 mm



MACAP C0001M138

Remote control switches

3446556 CONTACTOR LOVATO BG0910A

coil 9A 230V 50/60Hz 4Kw
3 normally open contacts
1 normally open auxiliary contact



MACAP C00061002



Springs

1250146 COFFEE TAMPER SPING \varnothing 10x65 mm
 for FIORENZATO CS DOGE63-DOGE83
 for GAGGIA MD64 NEW-MD75
 for MACAP
 MX-MXT-MXA-MX900-MXT900-MXA90-M7-M7T-M7A
 M7900-M7T900-M7A90-MXK-MXKT-MXKA-M7K-M7KT-M7KA
 for SPAZIALE MX-MXT-MXA-ASTRO 8/CA-ASTRO 8-8/A
 ASTRO 12-12/A-M900-M900T-M900A

1250350 DOSER BOSS SPRING



MACAP C0008M111

MACAP C0008M108

1252707 DOSER LEVER SPRING \varnothing 4.5x24 mm

1250352 DOSER TORSION SPRING



MACAP C0008M110

MACAP C0008M102

1250353 GRINDING BURRS LOCKING SPRING



MACAP C0008M109

Stars and spare parts

1343300 COMPLETE STAR WITHOUT BOSS

1343301 STAR WITH BOSS



MACAP C0002M124

MACAP C0002M1241

1343302 STAR WITH THREADED PIN



MACAP C0002M1242



Suitable for:

MACAP



Suitable for:

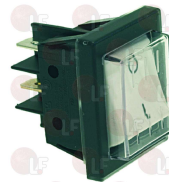
Switches

3319012 GREEN BIPOLAR SWITCH 16A 250V
 with indicator light and switch cover
 screen printing 0 - I
 max temperature 120°C
 mounting hole 22x30 mm



MACAP C00061001

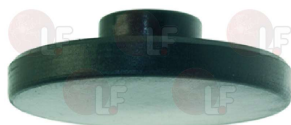
1319350 WHITE BIPOLAR SWITCH 16A 250V
 with push-button cover
 0-I silk-screen printing
 mounting hole 22x30 mm



MACAP C00061021

Tampers for coffee

1385015 COFFEE TAMPER ø 57 mm
 for Grinder-dispenser (GAGGIA) MD64NEW
 for Grinder-dispenser (MACAP) MX - MXA - MXA900
 MXK - MXKA - MXKT - MXT - MXT900 - MX900 - M7
 M7A - M7A900 - M7K - M7KA - M7KT - M7T - M7900
 for Grinder-dispenser (SPAZIALE) MX - MXA - MXT
 M900 - M900A - M900T



MACAP C0007M135

1385605 DYNAMOMETRIC COFFEE TAMPER ø 52/57 mm
 constant pressure 25 kg



MACAP ACPSZC18

MACAP CPS

1385600 DYNAMOMETRIC MANUAL COFFEE TAMPER ø 57mm
 aluminium - constant pressure 14 kg



MACAP ACPM1D57C17

MACAP CPM1

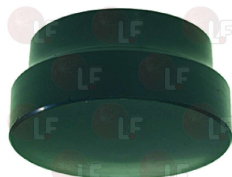
1385601 DYNAMOMETRIC MANUAL TAMPER ø 52 mm
 aluminium - constant pressure 14 kg



MACAP ACPM1D52C17

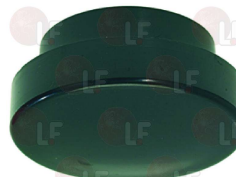
MACAP CPM1

1385201 TAMPER ø 51.5 mm



MACAP C0007M102B

1385200 TAMPER ø 57 mm



MACAP C0007M102A

1385202 TAMPER HOLDER
 new model

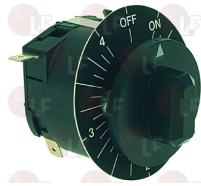


MACAP C0007M1071

Timers

1446300 TIMER 4 MINUTES M2

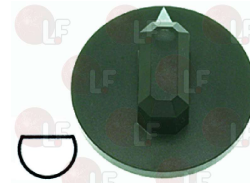
manually set mechanical timer
 manually set cycle 4 minutes
 contact capacity 16(4)A 250V
 max temperature 125°C
 D-shaped pin \varnothing 6x4.6 mm
 complete with silkscreen printed plate and knob
 for MACAP
 M4-M4T-M4A-M5-M5T-M5A-MX-MXT-MXA-MX900
 MXT900-MXA90-M7-M7T-M7A-M7900-M7T900-M7A90-MXK
 MXKT-MXKA-M7K-M7KT-M7KA-MC4-MC4T-MC5-MC5T-MC6-MC6T
 MC7-MC7T
 for SPAZIALE MX-MXT-MXA-M900-M900T-M900A
 for GAGGIA MD64 NEW-MD75



MACAP C00061004

3241174

BLACK KNOB \varnothing 44 mm
 D shaft hole 6x4.6 mm



Trays

1252418 COFFEE COLLECTING TRAY

for Coffee grinder (MACAP) MC7 - MC7T
 for Grinder-dispenser (GAGGIA) MD75
 for Grinder-dispenser (MACAP) M7 - M7A - M7A900
 M7K - M7KA - M7KT - M7T - M7T900 - M7900
 for Grinder-dispenser (SPAZIALE) M900 - M900A
 M900T



MACAP C0007M7041

1252420

COFFEE COLLECTING TRAY

for Coffee grinder (MACAP) MC6 - MC6T
 for Grinder-dispenser (ELEKTRA) MXP - MXPC
 for Grinder-dispenser (GAGGIA) MD64NEW
 for Grinder-dispenser (MACAP) MX - MXA - MXA900
 MXK - MXKA - MXT - MXT900 - MX900
 for Grinder-dispenser (SPAZIALE) MX - MXA - MXT



MACAP C0007M103

MACAP C0007M1031

1252419 COFFEE COLLECTING TRAY \varnothing 138 mm

for Coffee grinder (MACAP) MC4 - MC4T - MC5 - MC5T
 for Grinder-dispenser (GAGGIA) MD58COMPACT
 for Grinder-dispenser (MACAP) M4 - M4A - M4D - M4T
 M5 - M5A - M5D - M5T
 for Grinder-dispenser (SPAZIALE) TOP



MACAP C0007M115

The data herewith contained may change without notice and LF SpA cannot be held responsible for possible errors stated or resulting by the use of this document. All rights reserved. No part of this publication may be reproduced without written permission by LF SpA.



LF SpA
via Voltri, 80 - 47522 Cesena (FC) ITALIA
Tel. +39 0547 34 11 11 - Fax +39 0547 34 11 10
www.lfricambi724.it - www.lfricambi724.mobi
info@lfricambi.it
Export Dept.: Tel. +39 0547 34 11 50 - Fax: +39 0547 34 11 55
www.lfspareparts724.com - www.lfspareparts724.mobi
export@lfspaceparts.com

FRANCE



EPGC Sas
13, Rue des Forts - 59960 Neuville en Ferrain
Tél. +33 (0)3 20 25 06 21
Fax +33 (0)3 20 25 34 12
www.epgc.com
www.epgc724.mobi
epgc@epgc.com

DEUTSCHLAND



LF GmbH
Junkersstrasse, 1 - D-82178 Puchheim - München
Tel. +49 89 89 45 78 66
Fax +49 89 89 45 78 88
www.lfersatzteile724.de
www.lfersatzteile724.mobi
info@lfersatzteile.de

SCHWEIZ



LF GmbH Verkaufsbüro
Sennweidstrasse, 45 - CH-6312 Steinhausen
Tel. +41 (0)41 760 15 80-1
Fax +41 (0)41 760 15 85
www.lfersatzteile724.ch
www.lfersatzteile724.mobi
info@lfersatzteile.ch

ESPAÑA



LF Repuestos Horeca S.L.U.
Calle Ciudad Real, 10 - 45517 Escalonilla - Toledo
Tif. +34 91 477 91 00
Fax +34 91 477 90 81
www.lfrepuestos724.es
www.lfrepuestos724.mobi
info@lfrepuestos.es

UNITED KINGDOM



LF Spare Parts Ltd.
A10a Lakeside Business Park, Broadway Lane
South Cerney, Gloucestershire GL7 5XL
Tel. +44 (0)1285 86 16 25
Fax +44 (0)1285 86 39 49
www.lfspareparts724.co.uk
www.lfspareparts724.mobi
info@lfspaceparts.co.uk

RUSSIA



OOO LF
ul, Anatoliya Zhivova, 8 - office 1 - 123100 Moscow
Tel. +7 499 259 85 75
Fax +7 495 725 26 53
www.lfspareparts724.ru
www.lfspareparts724.mobi
info@lfspaceparts.ru

CHINA



LF China
Room 102, House 8, Lane 725, Mao Tai Rd.
Changning Dist. - 200336 Shanghai
Tel. +86 (0)21 33 53 66 31
Fax +86 (0)21 33 53 66 32
www.lfspareparts724.com
www.lfspareparts724.mobi
china@lfspaceparts.com